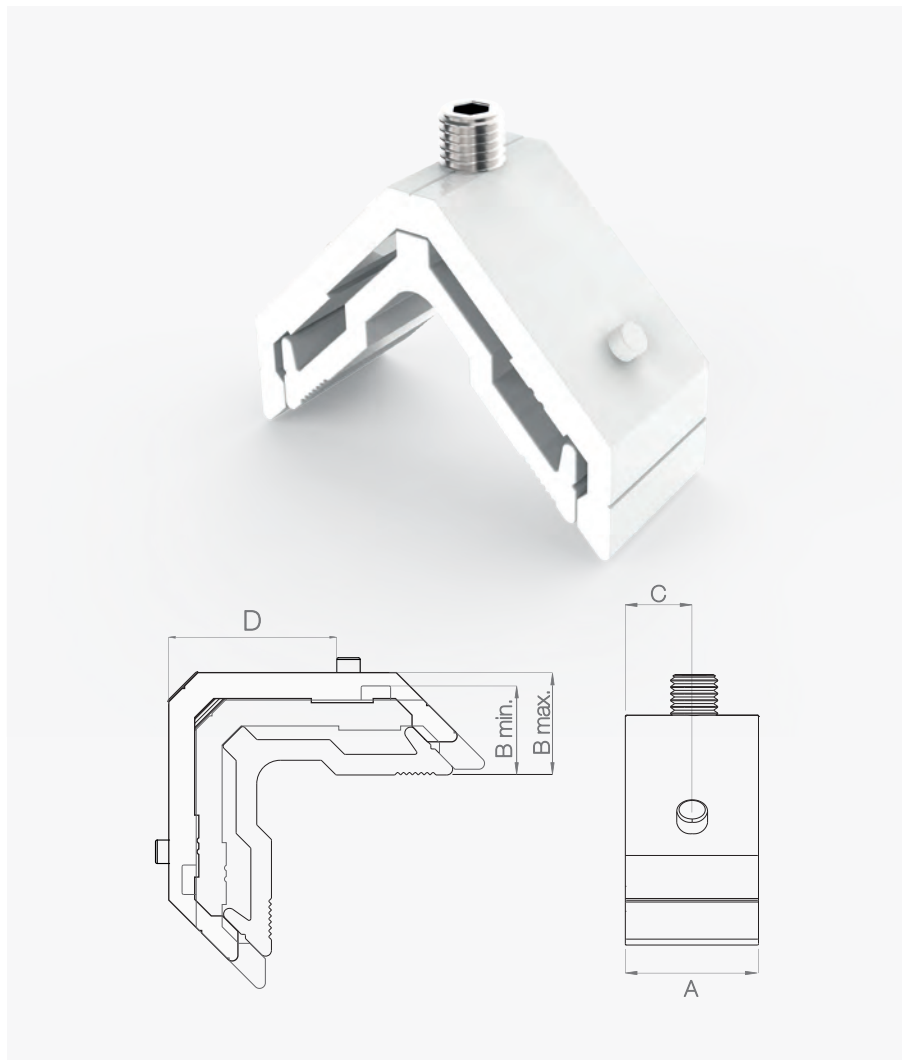








## esquadro teton Ø4



### materiais / materials / materiales / matériaux

alumínio / aluminium / aluminio / aluminium

### perno / socket set screw / espárrago / boulon

inox / stainless steel / acero inoxidable / inox

### acabamento / finishing / acabado / finition

bruto / crude / crudo / brut

Ref.	A	Bmin	Bmax.	C	D	
10	D4-1210C	12	10	11	-	28,5
	D4-1410C	14	10	11	-	28,5
	D4-2210C	22	10	11	-	28,5
	D4-2510C	25	10	11	-	28,5
	D4-3010C	30	10	11	-	28,5
	D4-3710C	37	10	11	-	28,5
	D4-3710-150	37	10	11	15,0	28,5
12	D4-1212C	12	12	14	-	28,5
	D4-1412C	14	12	14	-	28,5
	D4-2212C	22	12	14	-	28,5
	D4-2512C	25	12	14	-	28,5
	D4-3012C	30	12	14	-	28,5
	D4-3712C	37	12	14	-	28,5
	D4-3712-150	37	12	14	15,0	28,5
14	D4-1214C	12	14	17	-	28,5
	D4-1414C	14	14	17	-	28,5
	D4-2214C	22	14	17	-	28,5
	D4-2514C	25	14	17	-	28,5
	D4-3014C	30	14	17	-	28,5
	D4-3714C	37	14	17	-	28,5
	D4-3714-150	37	14	17	15,0	28,5
16	D4-1216C	12	15	19	-	28,5
	D4-1416C	14	15	19	-	28,5
	D4-2216C	22	15	19	-	28,5
	D4-2516C	25	15	19	-	28,5
	D4-3016C	30	15	19	-	28,5
	D4-3716C	37	15	19	-	28,5
	D4-3716-150	37	15	19	15,0	28,5
18	D4-1218C	12	18	21	-	28,5
	D4-1418C	14	18	21	-	28,5
	D4-2218C	22	18	21	-	28,5
	D4-2518C	25	18	21	-	28,5
	D4-3018C	30	18	21	-	28,5
	D4-3718C	37	18	21	-	28,5
	D4-3718-150	37	18	21	15,0	28,5

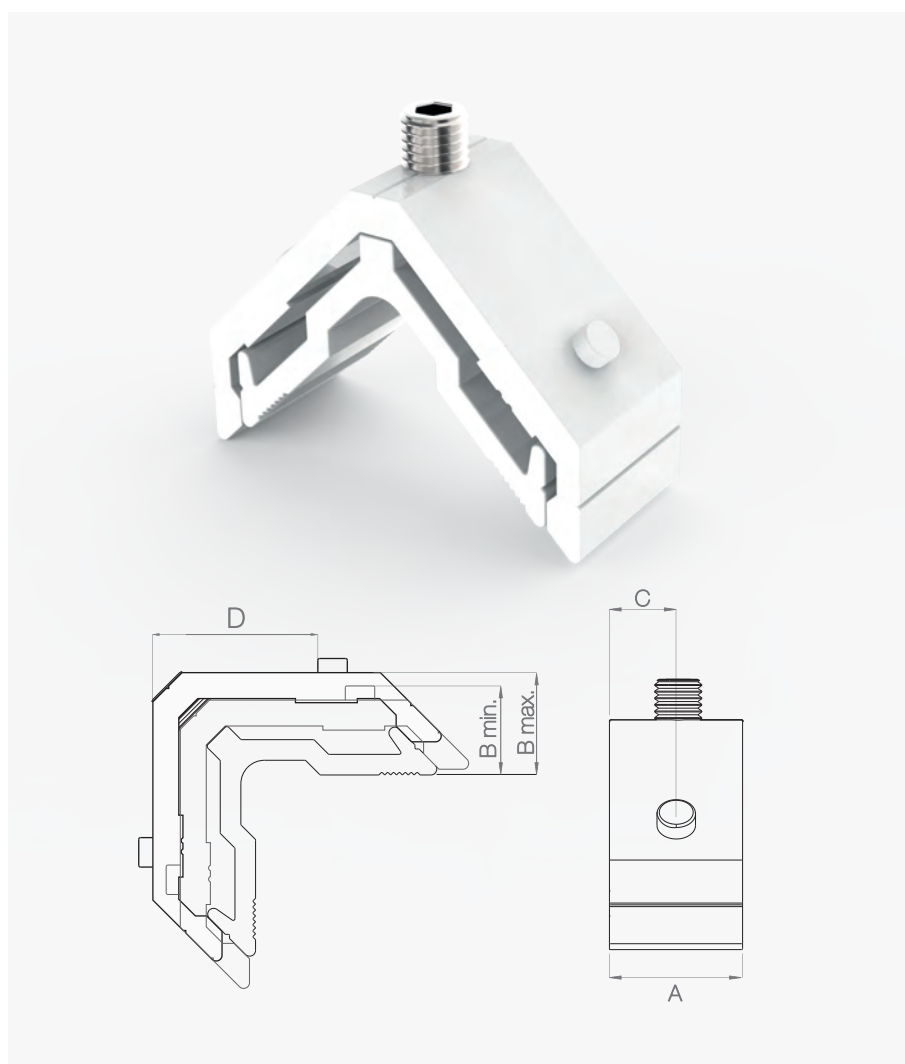


esquadro teton Ø4

Ref.	A	Bmin	Bmax.	C	D	Ref.	A	Bmin	Bmax.	C	D
D4-1220C	12	20	23	-	28,5	D4-1236C	12	35	38	-	28,5
D4-1420C	14	20	23	-	28,5	D4-1436C	14	35	38	-	28,5
D4-2220C	22	20	23	-	28,5	D4-2236C	22	35	38	-	28,5
<b>20</b> D4-2520C	25	20	23	-	28,5	<b>36</b> D4-2536C	25	35	38	-	28,5
D4-3020C	30	20	23	-	28,5	D4-3036C	30	35	38	-	28,5
D4-3720C	37	20	23	-	28,5	D4-3736C	37	35	38	-	28,5
D4-3720-150	37	20	23	15,0	28,5	D4-3736-150	37	35	38	15,0	28,5
D4-1222C	12	22	26	-	28,5	D4-1238C	12	38	40	-	28,5
D4-1422C	14	22	26	-	28,5	D4-1438C	14	38	40	-	28,5
D4-2222C	22	22	26	-	28,5	D4-2238C	22	38	40	-	28,5
<b>22</b> D4-2522C	25	22	26	-	28,5	<b>38</b> D4-2538C	25	38	40	-	28,5
D4-3022C	30	22	26	-	28,5	D4-3038C	30	38	40	-	28,5
D4-3722C	37	22	26	-	28,5	D4-3738C	37	38	40	-	28,5
D4-3722-150	37	22	26	15,0	28,5	D4-3738-150	37	38	40	15,0	28,5
D4-1225C	12	24	28	-	28,5	D4-1240C	12	40	43	-	28,5
D4-1425C	14	24	28	-	28,5	D4-1440C	14	40	43	-	28,5
D4-2225C	22	24	28	-	28,5	D4-2240C	22	40	43	-	28,5
<b>25</b> D4-2525C	25	24	28	-	28,5	<b>40</b> D4-2540C	25	40	43	-	28,5
D4-3025C	30	24	28	-	28,5	D4-3040C	30	40	43	-	28,5
D4-3725C	37	24	28	-	28,5	D4-3740C	37	40	43	-	28,5
D4-3725-150	37	24	28	15,0	28,5	D4-3740-150	37	40	43	15,0	28,5
D4-1228C	12	27	31	-	28,5	D4-1243C	12	43	45	-	28,5
D4-1428C	14	27	31	-	28,5	D4-1443C	14	43	45	-	28,5
D4-2228C	22	27	31	-	28,5	D4-2243C	22	43	45	-	28,5
<b>28</b> D4-2528C	25	27	31	-	28,5	<b>43</b> D4-2543C	25	43	45	-	28,5
D4-3028C	30	27	31	-	28,5	D4-3043C	30	43	45	-	28,5
D4-3728C	37	27	31	-	28,5	D4-3743C	37	43	45	-	28,5
D4-3728-150	37	27	31	15,0	28,5	D4-3743-150	37	43	45	15,0	28,5
D4-1231C	12	30	33	-	28,5	D4-1252C	12	52	53	-	28,5
D4-1431C	14	30	33	-	28,5	D4-1452C	14	52	53	-	28,5
D4-2231C	22	30	33	-	28,5	D4-2252C	22	52	53	-	28,5
<b>31</b> D4-2531C	25	30	33	-	28,5	<b>52</b> D4-2552C	25	52	53	-	28,5
D4-3031C	30	30	33	-	28,5	D4-3052C	30	52	53	-	28,5
D4-3731C	37	30	33	-	28,5	D4-3752C	37	52	53	-	28,5
D4-3731-150	37	30	33	15,0	28,5	D4-3752-150	37	52	53	15,0	28,5



## esquadro teton Ø5



### materiais / materials / materiales / matériaux

alumínio / aluminium / aluminio / aluminium

### perno / socket set screw / espárrago / boulon

inox / stainless steel / acero inoxidable / inox

### acabamento / finishing / acabado / finition

bruto / crude / crudo / brut

Ref.	A	Bmin	Bmax.	C	D
D5-1210C	12	10	11	-	28
D5-1410C	14	10	11	-	28
D5-2210C	22	10	11	-	28
<b>10</b> D5-2510C	25	10	11	-	28
D5-3010C	30	10	11	-	28
D5-3710C	37	10	11	-	28
D5-3710-150	37	10	11	15.0	28
D5-1212C	12	12	14	-	28
D5-1412C	14	12	14	-	28
D5-2212C	22	12	14	-	28
<b>12</b> D5-2512C	25	12	14	-	28
D5-3012C	30	12	14	-	28
D5-3712C	37	12	14	-	28
D5-3712-150	37	12	14	15.0	28
D5-1214C	12	14	16	-	28
D5-1414C	14	14	16	-	28
D5-2214C	22	14	16	-	28
<b>14</b> D5-2514C	25	14	16	-	28
D5-3014C	30	14	16	-	28
D5-3714C	37	14	16	-	28
D5-3714-150	37	14	16	15.0	28
D5-1216C	12	16	18	-	28
D5-1416C	14	16	18	-	28
D5-2216C	22	16	18	-	28
<b>16</b> D5-2516C	25	16	18	-	28
D5-3016C	30	16	18	-	28
D5-3716C	37	16	18	-	28
D5-3716-150	37	16	18	15.0	28
D5-1218C	12	18	20	-	28
D5-1418C	14	18	20	-	28
D5-2218C	22	18	20	-	28
<b>18</b> D5-2518C	25	18	20	-	28
D5-3018C	30	18	20	-	28
D5-3718C	37	18	20	-	28
D5-3718-150	37	18	20	15.0	28

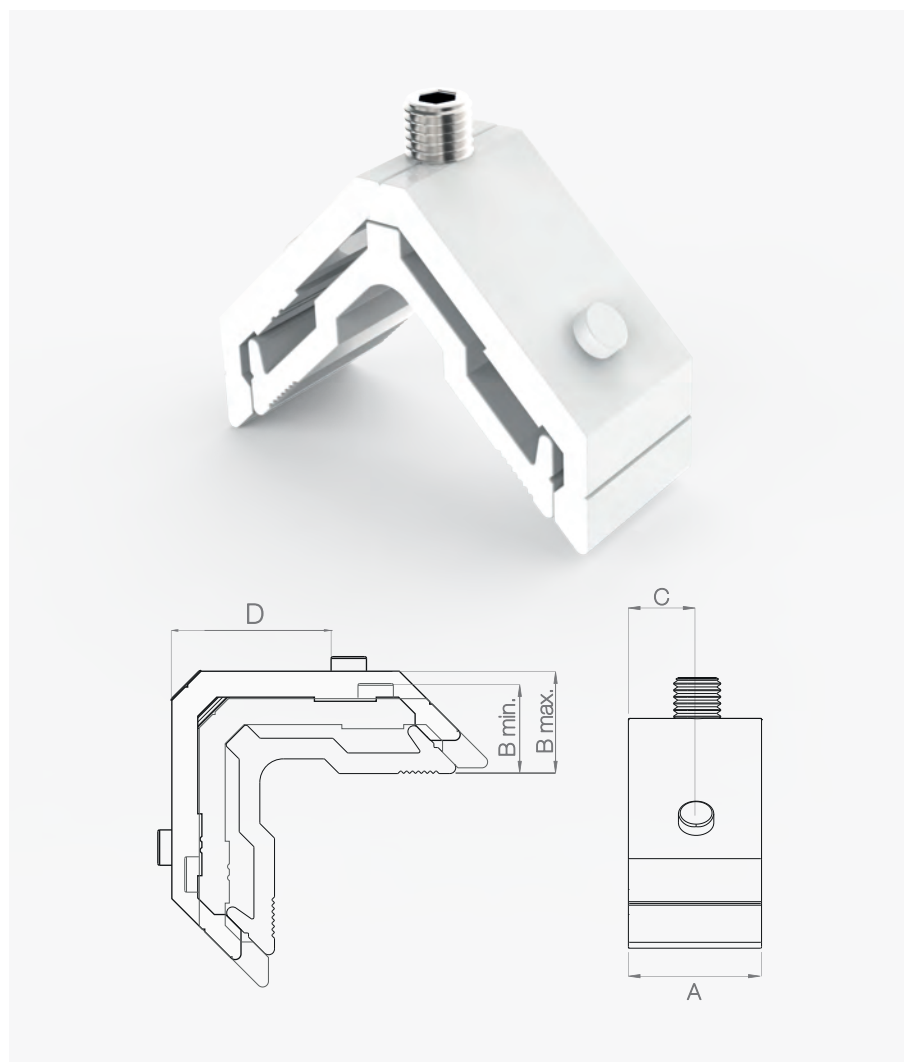


esquadro teton Ø5

Ref.	A	Bmin	Bmax.	C	D	Ref.	A	Bmin	Bmax.	C	D
D5-1220C	12	20	22	-	28	D5-1236C	12	35	37	-	28
D5-1420C	14	20	22	-	28	D5-1436C	14	35	37	-	28
D5-2220C	22	20	22	-	28	D5-2236C	22	35	37	-	28
<b>20</b> D5-2520C	25	20	22	-	28	<b>36</b> D5-2536C	25	35	37	-	28
D5-3020C	30	20	22	-	28	D5-3036C	30	35	37	-	28
D5-3720C	37	20	22	-	28	D5-3736C	37	35	37	-	28
D5-3720-150	37	20	22	15.0	28	D5-3736-150	37	35	37	15.0	28
D5-1222C	12	22	24	-	28	D5-1238C	12	38	40	-	28
D5-1422C	14	22	24	-	28	D5-1438C	14	38	40	-	28
D5-2222C	22	22	24	-	28	D5-2238C	22	38	40	-	28
<b>22</b> D5-2522C	25	22	24	-	28	<b>38</b> D5-2538C	25	38	40	-	28
D5-3022C	30	22	24	-	28	D5-3038C	30	38	40	-	28
D5-3722C	37	22	24	-	28	D5-3738C	37	38	40	-	28
D5-3722-150	37	22	24	15.0	28	D5-3738-150	37	38	40	15.0	28
D5-1225C	12	25	27	-	28	D5-1240C	12	40	42	-	28
D5-1425C	14	25	27	-	28	D5-1440C	14	40	42	-	28
D5-2225C	22	25	27	-	28	D5-2240C	22	40	42	-	28
<b>25</b> D5-2525C	25	25	27	-	28	<b>40</b> D5-2540C	25	40	42	-	28
D5-3025C	30	25	27	-	28	D5-3040C	30	40	42	-	28
D5-3725C	37	25	27	-	28	D5-3740C	37	40	42	-	28
D5-3725-150	37	25	27	15.0	28	D5-3740-150	37	40	42	15.0	28
D5-1228C	12	27	29	-	28	D5-1243C	12	43	45	-	28
D5-1428C	14	27	29	-	28	D5-1443C	14	43	45	-	28
D5-2228C	22	27	29	-	28	D5-2243C	22	43	45	-	28
<b>28</b> D5-2528C	25	27	29	-	28	<b>43</b> D5-2543C	25	43	45	-	28
D5-3028C	30	27	29	-	28	D5-3043C	30	43	45	-	28
D5-3728C	37	27	29	-	28	D5-3743C	37	43	45	-	28
D5-3728-150	37	27	29	15.0	28	D5-3743-150	37	43	45	15.0	28
D5-1231C	12	31	32	-	28	D5-1252C	12	52	53	-	28
D5-1431C	14	31	32	-	28	D5-1452C	14	52	53	-	28
D5-2231C	22	31	32	-	28	D5-2252C	22	52	53	-	28
<b>31</b> D5-2531C	25	31	32	-	28	<b>52</b> D5-2552C	25	52	53	-	28
D5-3031C	30	31	32	-	28	D5-3052C	30	52	53	-	28
D5-3731C	37	31	32	-	28	D5-3752C	37	52	53	-	28
D5-3731-150	37	31	32	15.0	28	D5-3752-150	37	52	53	15.0	28



## esquadro teton Ø6



materiais / materials / materiales / matériaux

alumínio / aluminium / aluminio / aluminium

perno / socket set screw / espárrago / boulon

inox / stainless steel / acero inoxidable / inox

acabamento / finishing / acabado / finition

bruto / crude / crudo / brut

Ref.	A	Bmin	Bmax.	C	D	
10	D6-1210C	12	10	11	-	27
	D6-1410C	14	10	11	-	27
	D6-2210C	22	10	11	-	27
	D6-2510C	25	10	11	-	27
	D6-3010C	30	10	11	-	27
	D6-3710C	37	10	11	-	27
	D6-3710-150	37	10	11	15.0	27
12	D6-1212C	12	12	14	-	27
	D6-1412C	14	12	14	-	27
	D6-2212C	22	12	14	-	27
	D6-2512C	25	12	14	-	27
	D6-3012C	30	12	14	-	27
	D6-3712C	37	12	14	-	27
	D6-3712-150	37	12	14	15.0	27
14	D6-1214C	12	14	16	-	27
	D6-1414C	14	14	16	-	27
	D6-2214C	22	14	16	-	27
	D6-2514C	25	14	16	-	27
	D6-3014C	30	14	16	-	27
	D6-3714C	37	14	16	-	27
	D6-3714-150	37	14	16	15.0	27
16	D6-1216C	12	16	18	-	27
	D6-1416C	14	16	18	-	27
	D6-2216C	22	16	18	-	27
	D6-2516C	25	16	18	-	27
	D6-3016C	30	16	18	-	27
	D6-3716C	37	16	18	-	27
	D6-3716-150	37	16	18	15.0	27
18	D6-1218C	12	18	20	-	27
	D6-1418C	14	18	20	-	27
	D6-2218C	22	18	20	-	27
	D6-2518C	25	18	20	-	27
	D6-3018C	30	18	20	-	27
	D6-3718C	37	18	20	-	27
	D6-3718-150	37	18	20	15.0	27



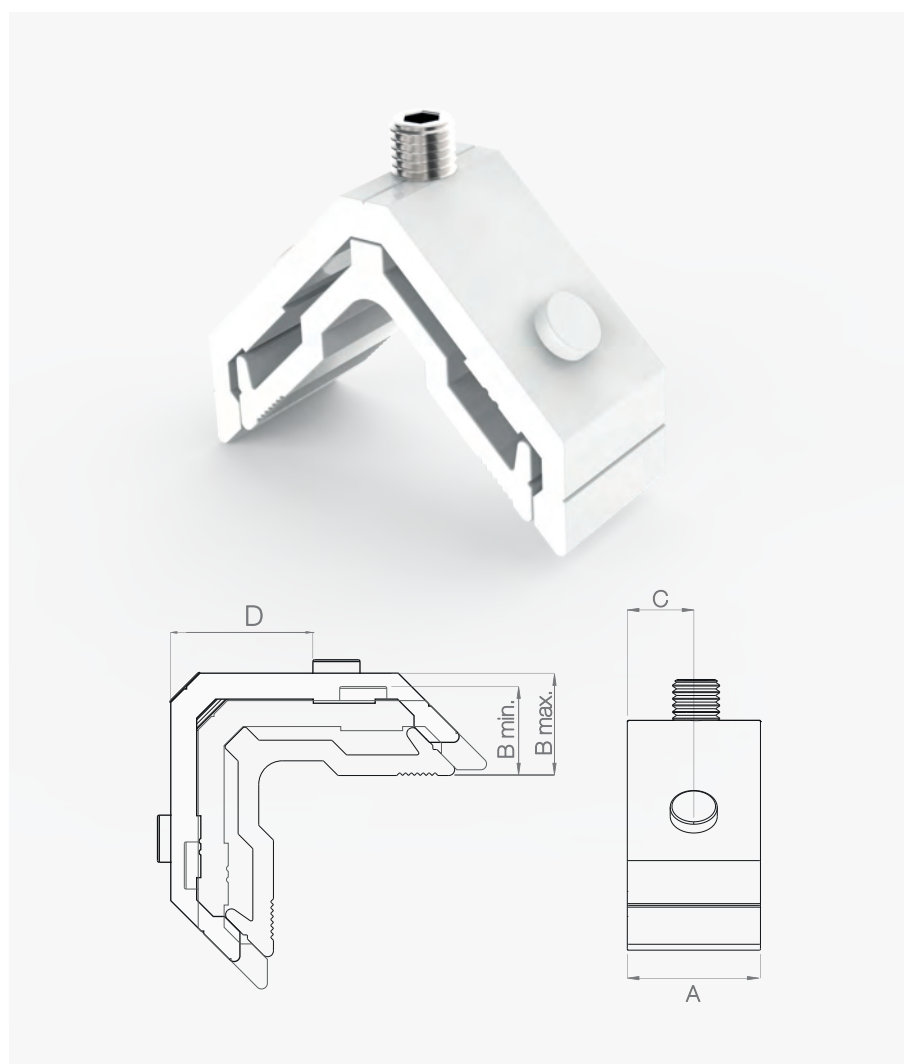
esquadro teton Ø6

Ref.	A	Bmin	Bmax.	C	D	Ref.	A	Bmin	Bmax.	C	D
D6-1220C	12	20	22	-	27	D6-1236C	12	35	37	-	27
D6-1420C	14	20	22	-	27	D6-1436C	14	35	37	-	27
D6-2220C	22	20	22	-	27	D6-2236C	22	35	37	-	27
<b>20</b> D6-2520C	25	20	22	-	27	<b>36</b> D6-2536C	25	35	37	-	27
D6-3020C	30	20	22	-	27	D6-3036C	30	35	37	-	27
D6-3720C	37	20	22	-	27	D6-3736C	37	35	37	-	27
D6-3720-150	37	20	22	15.0	27	D6-3736-150	37	35	37	15.0	27
<hr/>						<hr/>					
D6-1222C	12	22	24	-	27	D6-1238C	12	38	40	-	27
D6-1422C	14	22	24	-	27	D6-1438C	14	38	40	-	27
D6-2222C	22	22	24	-	27	D6-2238C	22	38	40	-	27
<b>22</b> D6-2522C	25	22	24	-	27	<b>38</b> D6-2538C	25	38	40	-	27
D6-3022C	30	22	24	-	27	D6-3038C	30	38	40	-	27
D6-3722C	37	22	24	-	27	D6-3738C	37	38	40	-	27
D6-3722-150	37	22	24	15.0	27	D6-3738-150	37	38	40	15.0	27
<hr/>						<hr/>					
D6-1225C	12	25	27	-	27	D6-1240C	12	40	42	-	27
D6-1425C	14	25	27	-	27	D6-1440C	14	40	42	-	27
D6-2225C	22	25	27	-	27	D6-2240C	22	40	42	-	27
<b>25</b> D6-2525C	25	25	27	-	27	<b>40</b> D6-2540C	25	40	42	-	27
D6-3025C	30	25	27	-	27	D6-3040C	30	40	42	-	27
D6-3725C	37	25	27	-	27	D6-3740C	37	40	42	-	27
D6-3725-150	37	25	27	15.0	27	D6-3740-150	37	40	42	15.0	27
<hr/>						<hr/>					
D6-1228C	12	27	29	-	27	D6-1243C	12	43	45	-	27
D6-1428C	14	27	29	-	27	D6-1443C	14	43	45	-	27
D6-2228C	22	27	29	-	27	D6-2243C	22	43	45	-	27
<b>28</b> D6-2528C	25	27	29	-	27	<b>43</b> D6-2543C	25	43	45	-	27
D6-3028C	30	27	29	-	27	D6-3043C	30	43	45	-	27
D6-3728C	37	27	29	-	27	D6-3743C	37	43	45	-	27
D6-3728-150	37	27	29	15.0	27	D6-3743-150	37	43	45	15.0	27
<hr/>						<hr/>					
D6-1231C	12	31	32	-	27	D6-1252C	12	52	53	-	27
D6-1431C	14	31	32	-	27	D6-1452C	14	52	53	-	27
D6-2231C	22	31	32	-	27	D6-2252C	22	52	53	-	27
<b>31</b> D6-2531C	25	31	32	-	27	<b>52</b> D6-2552C	25	52	53	-	27
D6-3031C	30	31	32	-	27	D6-3052C	30	52	53	-	27
D6-3731C	37	31	32	-	27	D6-3752C	37	52	53	-	27
D6-3731-150	37	31	32	15.0	27	D6-3752-150	37	52	53	15.0	27





## esquadro teton Ø8



materiais / materials / materiales / matériaux

alumínio / aluminium / aluminio / aluminium

perno / socket set screw / espárrago / boulon

inox / stainless steel / acero inoxidable / inox

acabamento / finishing / acabado / finition

bruto / crude / crudo / brut

Ref.	A	Bmin	Bmax.	C	D	
10	D8-1210C	12	10	11	-	24
	D8-1410C	14	10	11	-	24
	D8-2210C	22	10	11	-	24
	D8-2510C	25	10	11	-	24
	D8-3010C	30	10	11	-	24
	D8-3710C	37	10	11	-	24
	D8-3710-150	37	10	11	15.0	24
12	D8-1212C	12	12	14	-	24
	D8-1412C	14	12	14	-	24
	D8-2212C	22	12	14	-	24
	D8-2512C	25	12	14	-	24
	D8-3012C	30	12	14	-	24
	D8-3712C	37	12	14	-	24
	D8-3712-150	37	12	14	15.0	24
14	D8-1214C	12	14	16	-	24
	D8-1414C	14	14	16	-	24
	D8-2214C	22	14	16	-	24
	D8-2514C	25	14	16	-	24
	D8-3014C	30	14	16	-	24
	D8-3714C	37	14	16	-	24
	D8-3714-150	37	14	16	15.0	24
16	D8-1216C	12	16	18	-	24
	D8-1416C	14	16	18	-	24
	D8-2216C	22	16	18	-	24
	D8-2516C	25	16	18	-	24
	D8-3016C	30	16	18	-	24
	D8-3716C	37	16	18	-	24
	D8-3716-150	37	16	18	15.0	24
18	D8-1218C	12	18	20	-	24
	D8-1418C	14	18	20	-	24
	D8-2218C	22	18	20	-	24
	D8-2518C	25	18	20	-	24
	D8-3018C	30	18	20	-	24
	D8-3718C	37	18	20	-	24
	D8-3718-150	37	18	20	15.0	24

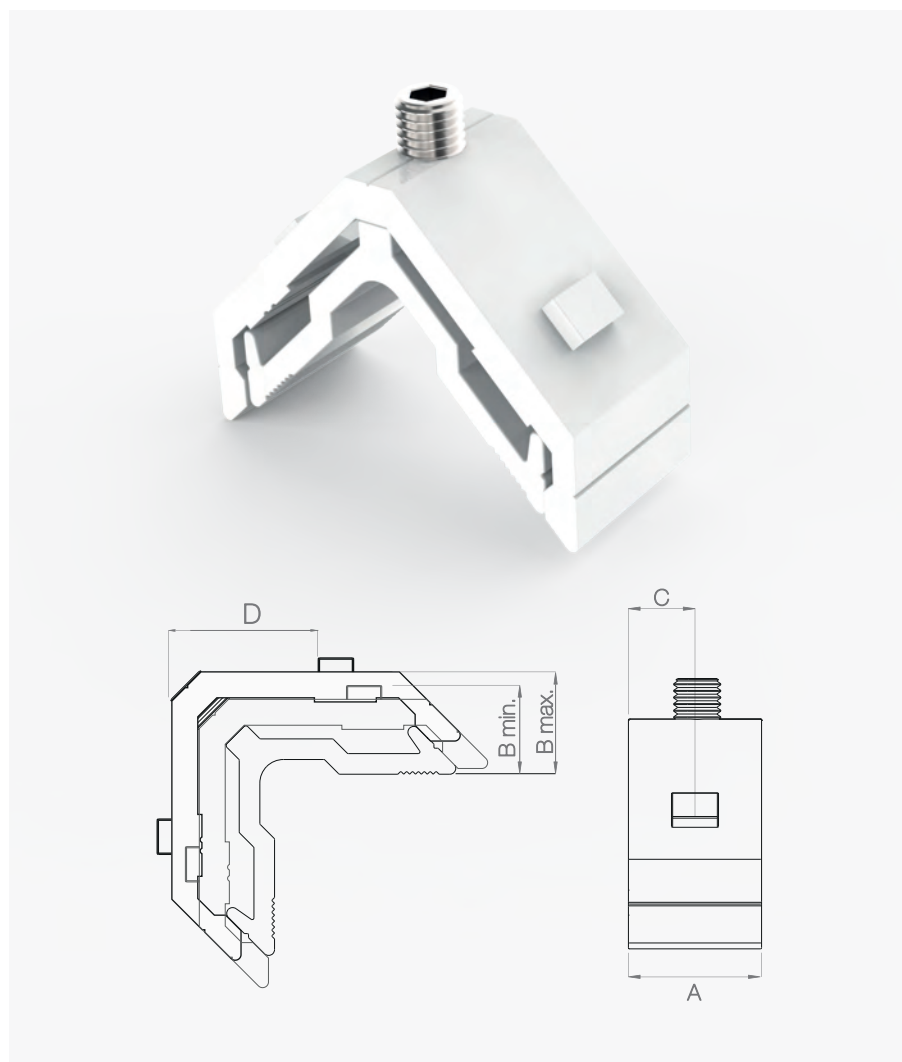


esquadro teton Ø8

Ref.	A	Bmin	Bmax.	C	D	Ref.	A	Bmin	Bmax.	C	D
D8-1220C	12	20	22	-	24	D8-1236C	12	35	37	-	24
D8-1420C	14	20	22	-	24	D8-1436C	14	35	37	-	24
D8-2220C	22	20	22	-	24	D8-2236C	22	35	37	-	24
<b>20</b> D8-2520C	25	20	22	-	24	<b>36</b> D8-2536C	25	35	37	-	24
D8-3020C	30	20	22	-	24	D8-3036C	30	35	37	-	24
D8-3720C	37	20	22	-	24	D8-3736C	37	35	37	-	24
D8-3720-150	37	20	22	15.0	24	D8-3736-150	37	35	37	15.0	24
<hr/>						<hr/>					
D8-1222C	12	22	24	-	24	D8-1238C	12	38	40	-	24
D8-1422C	14	22	24	-	24	D8-1438C	14	38	40	-	24
D8-2222C	22	22	24	-	24	D8-2238C	22	38	40	-	24
<b>22</b> D8-2522C	25	22	24	-	24	<b>38</b> D8-2538C	25	38	40	-	24
D8-3022C	30	22	24	-	24	D8-3038C	30	38	40	-	24
D8-3722C	37	22	24	-	24	D8-3738C	37	38	40	-	24
D8-3722-150	37	22	24	15.0	24	D8-3738-150	37	38	40	15.0	24
<hr/>						<hr/>					
D8-1225C	12	25	27	-	24	D8-1240C	12	40	42	-	24
D8-1425C	14	25	27	-	24	D8-1440C	14	40	42	-	24
D8-2225C	22	25	27	-	24	D8-2240C	22	40	42	-	24
<b>25</b> D8-2525C	25	25	27	-	24	<b>40</b> D8-2540C	25	40	42	-	24
D8-3025C	30	25	27	-	24	D8-3040C	30	40	42	-	24
D8-3725C	37	25	27	-	24	D8-3740C	37	40	42	-	24
D8-3725-150	37	25	27	15.0	24	D8-3740-150	37	40	42	15.0	24
<hr/>						<hr/>					
D8-1228C	12	27	29	-	24	D8-1243C	12	43	45	-	24
D8-1428C	14	27	29	-	24	D8-1443C	14	43	45	-	24
D8-2228C	22	27	29	-	24	D8-2243C	22	43	45	-	24
<b>28</b> D8-2528C	25	27	29	-	24	<b>43</b> D8-2543C	25	43	45	-	24
D8-3028C	30	27	29	-	24	D8-3043C	30	43	45	-	24
D8-3728C	37	27	29	-	24	D8-3743C	37	43	45	-	24
D8-3728-150	37	27	29	15.0	24	D8-3743-150	37	43	45	15.0	24
<hr/>						<hr/>					
D8-1231C	12	31	32	-	24	D8-1252C	12	52	53	-	24
D8-1431C	14	31	32	-	24	D8-1452C	14	52	53	-	24
D8-2231C	22	31	32	-	24	D8-2252C	22	52	53	-	24
<b>31</b> D8-2531C	25	31	32	-	24	<b>52</b> D8-2552C	25	52	53	-	24
D8-3031C	30	31	32	-	24	D8-3052C	30	52	53	-	24
D8-3731C	37	31	32	-	24	D8-3752C	37	52	53	-	24
D8-3731-150	37	31	32	15.0	24	D8-3752-150	37	52	53	15.0	24



esquadro teton  $\square$ 8x6



materiais / materials / materiales / matériaux

alumínio / aluminium / aluminio / aluminium

perno / socket set screw / espárrago / boulon

inox / stainless steel / acero inoxidable / inox

acabamento / finishing / acabado / finition

bruto / crude / crudo / brut

Ref.	A	Bmin	Bmax.	C	D	
10	D86-1210C	12	10	11	-	25/26
	D86-1410C	14	10	11	-	25/26
	D86-2210C	22	10	11	-	25/26
	D86-2510C	25	10	11	-	25/26
	D86-3010C	30	10	11	-	25/26
	D86-3710C	37	10	11	-	25/26
	D86-3710-150	37	10	11	15.0	25/26
12	D86-1212C	12	12	14	-	25/26
	D86-1412C	14	12	14	-	25/26
	D86-2212C	22	12	14	-	25/26
	D86-2512C	25	12	14	-	25/26
	D86-3012C	30	12	14	-	25/26
	D86-3712C	37	12	14	-	25/26
D86-3712-150	37	12	14	15.0	25/26	
14	D86-1214C	12	14	16	-	25/26
	D86-1414C	14	14	16	-	25/26
	D86-2214C	22	14	16	-	25/26
	D86-2514C	25	14	16	-	25/26
	D86-3014C	30	14	16	-	25/26
	D86-3714C	37	14	16	-	25/26
D86-3714-150	37	14	16	15.0	25/26	
16	D86-1216C	12	16	18	-	25/26
	D86-1416C	14	16	18	-	25/26
	D86-2216C	22	16	18	-	25/26
	D86-2516C	25	16	18	-	25/26
	D86-3016C	30	16	18	-	25/26
	D86-3716C	37	16	18	-	25/26
D86-3716-150	37	16	18	15.0	25/26	
18	D86-1218C	12	18	20	-	25/26
	D86-1418C	14	18	20	-	25/26
	D86-2218C	22	18	20	-	25/26
	D86-2518C	25	18	20	-	25/26
	D86-3018C	30	18	20	-	25/26
	D86-3718C	37	18	20	-	25/26
D86-3718-150	37	18	20	15.0	25/26	

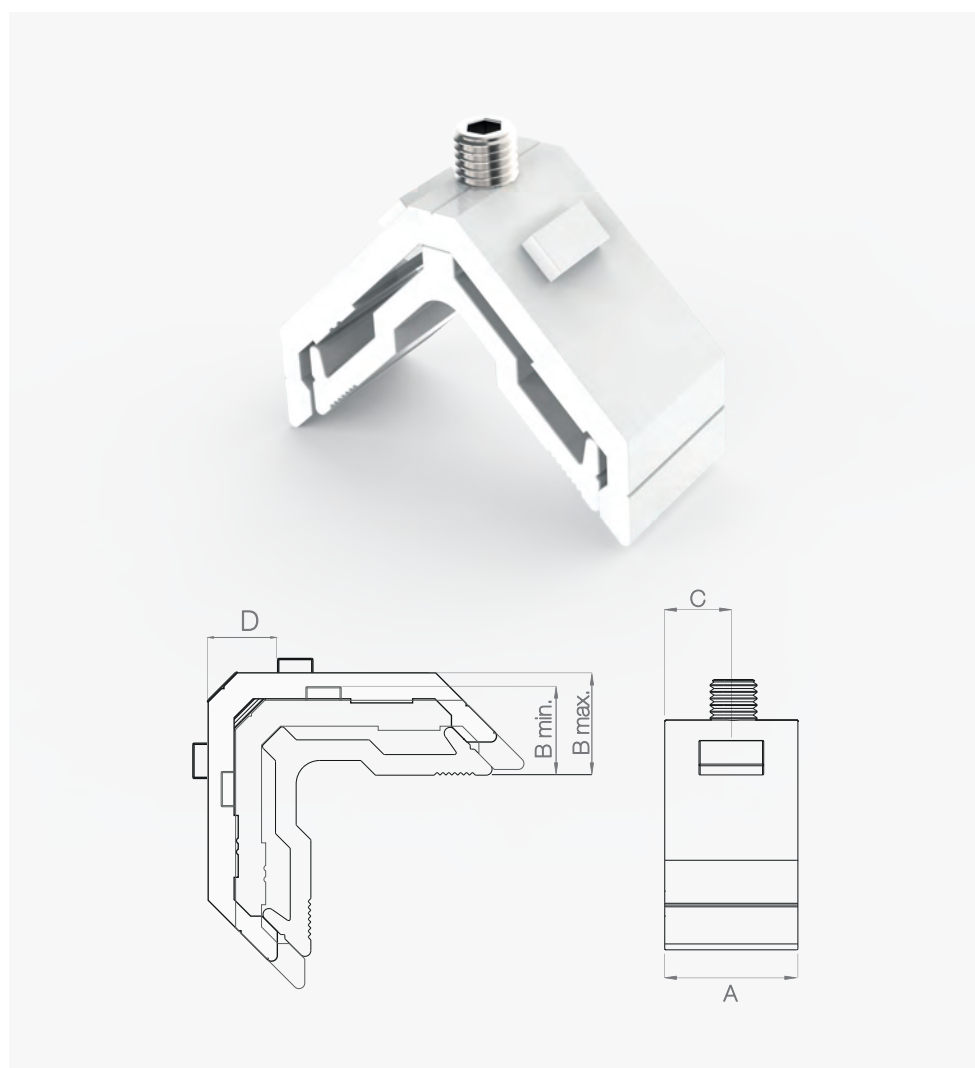


esquadro teton □ 8x6

Ref.	A	Bmin	Bmax.	C	D	Ref.	A	Bmin	Bmax.	C	D
D86-1220C	12	20	22	-	25/26	D86-1236C	12	35	37	-	25/26
D86-1420C	14	20	22	-	25/26	D86-1436C	14	35	37	-	25/26
D86-2220C	22	20	22	-	25/26	D86-2236C	22	35	37	-	25/26
<b>20</b> D86-2520C	25	20	22	-	25/26	<b>36</b> D86-2536C	25	35	37	-	25/26
D86-3020C	30	20	22	-	25/26	D86-3036C	30	35	37	-	25/26
D86-3720C	37	20	22	-	25/26	D86-3736C	37	35	37	-	25/26
D86-3720-150	37	20	22	15.0	25/26	D86-3736-150	37	35	37	15.0	25/26
D86-1222C	12	22	24	-	25/26	D86-1238C	12	38	40	-	25/26
D86-1422C	14	22	24	-	25/26	D86-1438C	14	38	40	-	25/26
D86-2222C	22	22	24	-	25/26	D86-2238C	22	38	40	-	25/26
<b>22</b> D86-2522C	25	22	24	-	25/26	<b>38</b> D86-2538C	25	38	40	-	25/26
D86-3022C	30	22	24	-	25/26	D86-3038C	30	38	40	-	25/26
D86-3722C	37	22	24	-	25/26	D86-3738C	37	38	40	-	25/26
D86-3722-150	37	22	24	15.0	25/26	D86-3738-150	37	38	40	15.0	25/26
D86-1225C	12	25	27	-	25/26	D86-1240C	12	40	42	-	25/26
D86-1425C	14	25	27	-	25/26	D86-1440C	14	40	42	-	25/26
D86-2225C	22	25	27	-	25/26	D86-2240C	22	40	42	-	25/26
<b>25</b> D86-2525C	25	25	27	-	25/26	<b>40</b> D86-2540C	25	40	42	-	25/26
D86-3025C	30	25	27	-	25/26	D86-3040C	30	40	42	-	25/26
D86-3725C	37	25	27	-	25/26	D86-3740C	37	40	42	-	25/26
D86-3725-150	37	25	27	15.0	25/26	D86-3740-150	37	40	42	15.0	25/26
D86-1228C	12	27	29	-	25/26	D86-1243C	12	43	45	-	25/26
D86-1428C	14	27	29	-	25/26	D86-1443C	14	43	45	-	25/26
D86-2228C	22	27	29	-	25/26	D86-2243C	22	43	45	-	25/26
<b>28</b> D86-2528C	25	27	29	-	25/26	<b>43</b> D86-2543C	25	43	45	-	25/26
D86-3028C	30	27	29	-	25/26	D86-3043C	30	43	45	-	25/26
D86-3728C	37	27	29	-	25/26	D86-3743C	37	43	45	-	25/26
D86-3728-150	37	27	29	15.0	25/26	D86-3743-150	37	43	45	15.0	25/26
D86-1231C	12	31	32	-	25/26	D86-1252C	12	52	53	-	25/26
D86-1431C	14	31	32	-	25/26	D86-1452C	14	52	53	-	25/26
D86-2231C	22	31	32	-	25/26	D86-2252C	22	52	53	-	25/26
<b>31</b> D86-2531C	25	31	32	-	25/26	<b>52</b> D86-2552C	25	52	53	-	25/26
D86-3031C	30	31	32	-	25/26	D86-3052C	30	52	53	-	25/26
D86-3731C	37	31	32	-	25/26	D86-3752C	37	52	53	-	25/26
D86-3731-150	37	31	32	15.0	25/26	D86-3752-150	37	52	53	15.0	25/26



esquadro teton  $\square$  11x6



materiais / materials / materiales / matériaux

alumínio / aluminium / aluminio / aluminium

perno / socket set screw / espárrago / boulon

inox / stainless steel / acero inoxidable / inox

acabamento / finishing / acabado / finition

bruto / crude / crudo / brut

Ref.	A	Bmin	Bmax.	C	D
D116-1210C	12	10	11	-	12
D116-1410C	14	10	11	-	12
D116-2210C	22	10	11	-	12
<b>10</b> D116-2510C	25	10	11	-	12
D116-3010C	30	10	11	-	12
D116-3710C	37	10	11	-	12
D116-3710-150	37	10	11	15.0	12
D116-1212C	12	12	14	-	12
D116-1412C	14	12	14	-	12
D116-2212C	22	12	14	-	12
<b>12</b> D116-2512C	25	12	14	-	12
D116-3012C	30	12	14	-	12
D116-3712C	37	12	14	-	12
D116-3712-150	37	12	14	15.0	12
D116-1214C	12	14	16	-	12
D116-1414C	14	14	16	-	12
D116-2214C	22	14	16	-	12
<b>14</b> D116-2514C	25	14	16	-	12
D116-3014C	30	14	16	-	12
D116-3714C	37	14	16	-	12
D116-3714-150	37	14	16	15.0	12
D116-1216C	12	16	18	-	12
D116-1416C	14	16	18	-	12
D116-2216C	22	16	18	-	12
<b>16</b> D116-2516C	25	16	18	-	12
D116-3016C	30	16	18	-	12
D116-3716C	37	16	18	-	12
D116-3716-150	37	16	18	15.0	12
D116-1218C	12	18	20	-	12
D116-1418C	14	18	20	-	12
D116-2218C	22	18	20	-	12
<b>18</b> D116-2518C	25	18	20	-	12
D116-3018C	30	18	20	-	12
D116-3718C	37	18	20	-	12
D116-3718-150	37	18	20	15.0	12

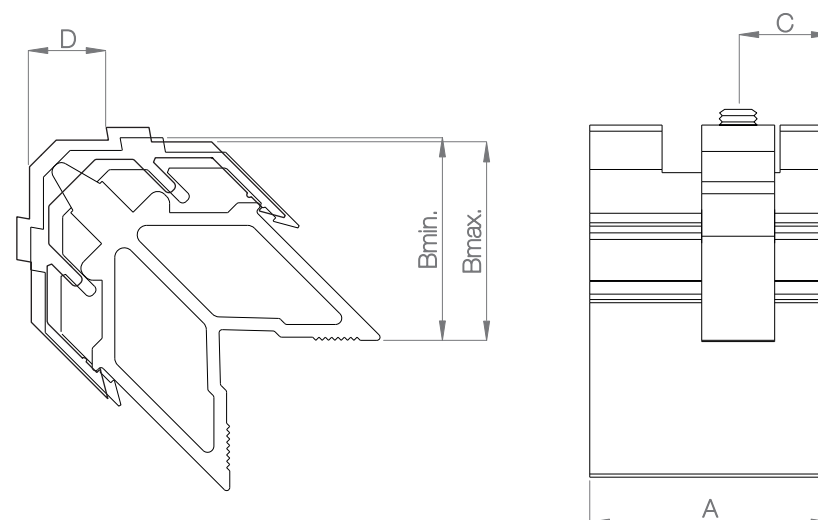


esquadro teton □ 11x6

Ref.	A	Bmin	Bmax.	C	D	Ref.	A	Bmin	Bmax.	C	D
D116-1220C	12	20	22	-	12	D116-1236C	12	35	37	-	12
D116-1420C	14	20	22	-	12	D116-1436C	14	35	37	-	12
D116-2220C	22	20	22	-	12	D116-2236C	22	35	37	-	12
<b>20</b> D116-2520C	25	20	22	-	12	<b>36</b> D116-2536C	25	35	37	-	12
D116-3020C	30	20	22	-	12	D116-3036C	30	35	37	-	12
D116-3720C	37	20	22	-	12	D116-3736C	37	35	37	-	12
D116-3720-150	37	20	22	15.0	12	D116-3736-150	37	35	37	15.0	12
<hr/>											
D116-1222C	12	22	24	-	12	D116-1238C	12	38	40	-	12
D116-1422C	14	22	24	-	12	D116-1438C	14	38	40	-	12
D116-2222C	22	22	24	-	12	D116-2238C	22	38	40	-	12
<b>22</b> D116-2522C	25	22	24	-	12	<b>38</b> D116-2538C	25	38	40	-	12
D116-3022C	30	22	24	-	12	D116-3038C	30	38	40	-	12
D116-3722C	37	22	24	-	12	D116-3738C	37	38	40	-	12
D116-3722-150	37	22	24	15.0	12	D116-3738-150	37	38	40	15.0	12
<hr/>											
D116-1225C	12	25	27	-	12	D116-1240C	12	40	42	-	12
D116-1425C	14	25	27	-	12	D116-1440C	14	40	42	-	12
D116-2225C	22	25	27	-	12	D116-2240C	22	40	42	-	12
<b>25</b> D116-2525C	25	25	27	-	12	<b>40</b> D116-2540C	25	40	42	-	12
D116-3025C	30	25	27	-	12	D116-3040C	30	40	42	-	12
D116-3725C	37	25	27	-	12	D116-3740C	37	40	42	-	12
D116-3725-150	37	25	27	15.0	12	D116-3740-150	37	40	42	15.0	12
<hr/>											
D116-1228C	12	27	29	-	12	D116-1243C	12	43	45	-	12
D116-1428C	14	27	29	-	12	D116-1443C	14	43	45	-	12
D116-2228C	22	27	29	-	12	D116-2243C	22	43	45	-	12
<b>28</b> D116-2528C	25	27	29	-	12	<b>43</b> D116-2543C	25	43	45	-	12
D116-3028C	30	27	29	-	12	D116-3043C	30	43	45	-	12
D116-3728C	37	27	29	-	12	D116-3743C	37	43	45	-	12
D116-3728-150	37	27	29	15.0	12	D116-3743-150	37	43	45	15.0	12
<hr/>											
D116-1231C	12	31	32	-	12	D116-1252C	12	52	53	-	12
D116-1431C	14	31	32	-	12	D116-1452C	14	52	53	-	12
D116-2231C	22	31	32	-	12	D116-2252C	22	52	53	-	12
<b>31</b> D116-2531C	25	31	32	-	12	<b>52</b> D116-2552C	25	52	53	-	12
D116-3031C	30	31	32	-	12	D116-3052C	30	52	53	-	12
D116-3731C	37	31	32	-	12	D116-3752C	37	52	53	-	12
D116-3731-150	37	31	32	15.0	12	D116-3752-150	37	52	53	15.0	12



## esquadro peça preta



### materiais / materials / materiales / matériaux

alumínio / aluminium / aluminio / aluminium

### perno / socket set screw / espárrago / boulon

inox / stainless steel / acero inoxidable / inox

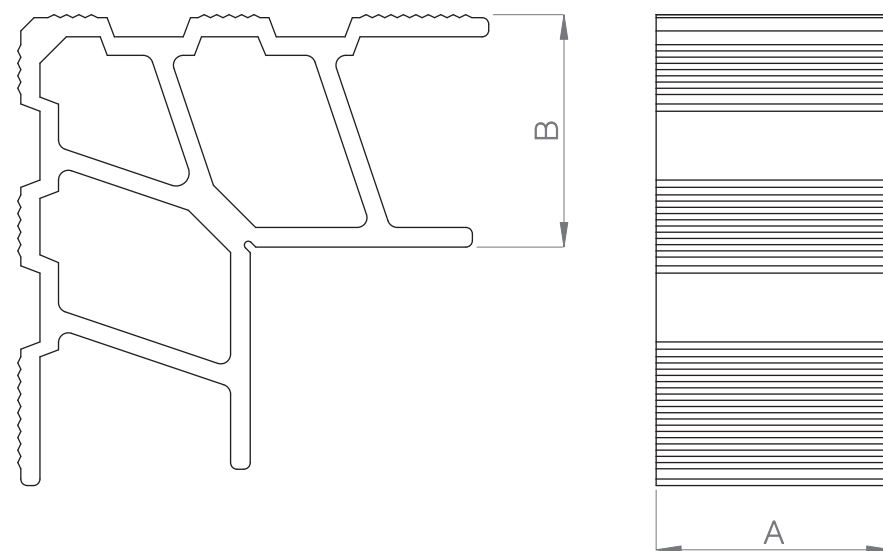
### acabamento / finishing / acabado / finition

bruto / crude / crudo / brut

Ref.	Design	A	Bmin.	Bmax.	C	D	
10	D50-3412-115	BS	34	11.5	12.0	11.5	13
	D50-2514-115	AT Pequeno	24,5	14,5	15,5	11,5	13
	D50-3114-115	Peq. S2000	31	14,5	15,5	11,5	13
14	D50-3414-115	SB Pequeno	34	14,5	15,5	11,5	13
	D50-3614-115	Pequeno Desc.	36	13,5	15,5	11,5	13
	D50-3614C	Pequeno Cent.	36	13,5	15,5	-	13
	D50-3614-150	Pequeno Misto	36	13,5	15,5	15,0	13
20	D50-3620-115	MF	36	19,5	20,5	11,5	13
25	D50-3625-115	S38	36	25,0	26,5	11,5	13
	D50-2531-115	AT Grande	25	31,5	26,5	11,5	13
	D50-3431-115	SB Grande	34	30,5	31,0	11,5	13
31	D50-3631-115	Grande Desc.	36	30,5	31,5	11,5	13
	D50-3631C	Grande Cent.	36	30,5	31,5	-	13
	D50-3631-150	Grande Misto	36	30,5	31,5	15,0	13
	D50-4131-115	Grande S2000	41	30,5	31,5	11,5	13
36	D50-3636-115	S36	36	34,5	38,0	11,5	13



esquadro aberto direto



	Ref.	Design	A	B
10	D60-2710	BR14	27.0	10.0
	D60-3210	BR14	32.0	10.0
14	D60-2714	BR19A	27.0	14.0
	D60-3214	BR19A	32.0	14.0
	D60-3614	BR19A	36.0	14.0
25	D60-3225	B9071	32.0	25.0
	D60-3625	B9071	36.0	25.0
	D60-4225	B9071	42.0	25.0
31	D60-2731	BR15	27.0	31.0
	D60-3231	BR15	32.0	31.0
	D60-3631	BR15	36.0	31.0
41	D60-3641	1525	36.0	41.0

materials / materials / materiales / matériaux

alumínio / aluminium / aluminio / aluminium

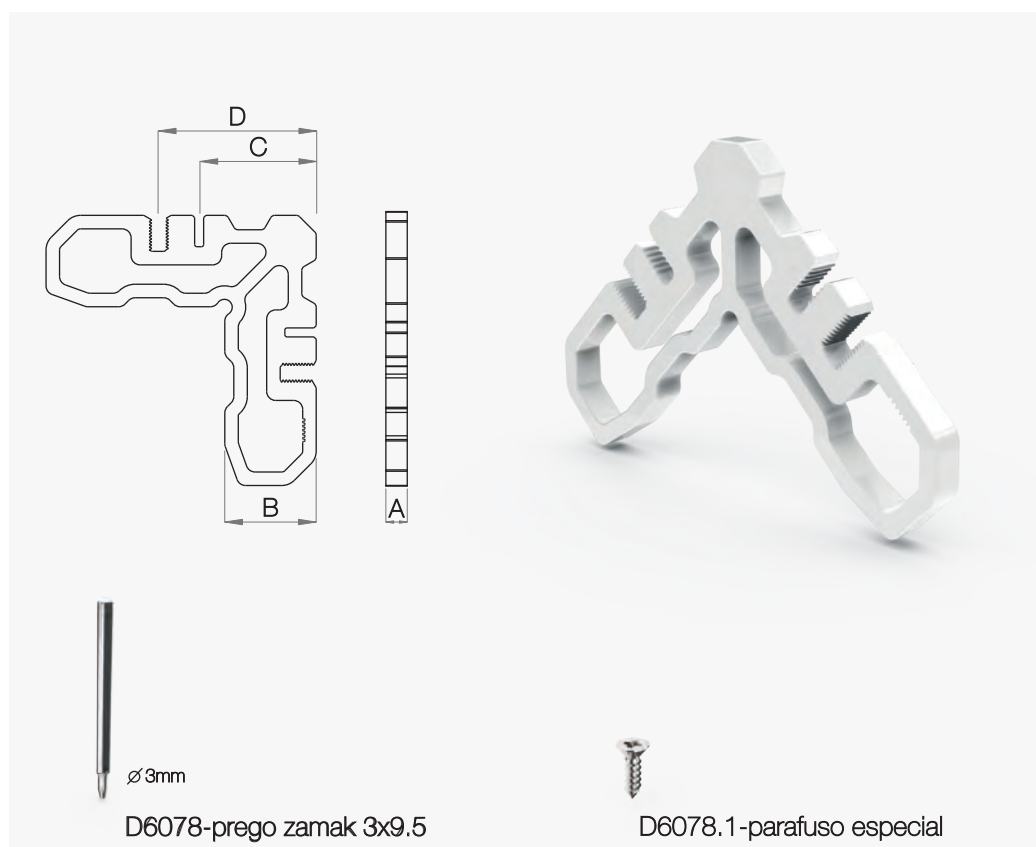
acabamento / finishing / acabado / finition

bruto / crude / crudo / brut





## esquadro cravar



Ref.	A	B	C	D
D70-0507	05	6.9	29.9	-
D70-0707	07	6.9	29.9	-
D70-0510	05	9.8	26.0	35.0
D70-0710	07	9.8	26.0	35.0
D70-0511	05	10.8	29.9	38.0
D70-0711	07	10.8	29.9	38.0
D70-0513	05	12.8	29.9	38.0
D70-0713	07	12.8	29.9	38.0
D70-0514	05	14.0	28.5	46.5
D70-0714	07	14.0	28.5	46.5
D70-0520.5	05	20.3	26.0	35.0
D70-0720.5	07	20.3	26.0	35.0
D70-0523	05	23.0	29.9	38.0
D70-0723	07	23.0	29.9	38.0
D70-0525	05	24.8	29.9	-
D70-0725	07	24.8	29.9	-
D70-0530	05	29.7	28.3	46.5
D70-0531	05	31.0	28.5	46.5
D70-0731	07	31.0	28.5	46.5
D70-0536	05	36.0	28.5	46.5
D70-0537	05	36.7	26.0	35.0
D70-0546	05	45.6	26.0	35.0
D70-0746	07	45.6	26.0	35.0

### materiais / materials / materiales / matériaux

alumínio / aluminium / aluminio / aluminium

### prego / nail / clavo / clou

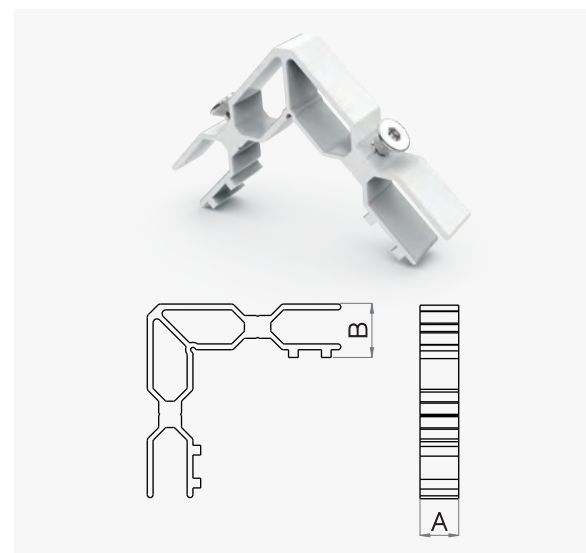
### parafuso / screw / tornillo / vis

inox / stainless steel / acero inoxidable / inox

### acabamento / finishing / acabado / finition

bruto / crude / crudo / brut

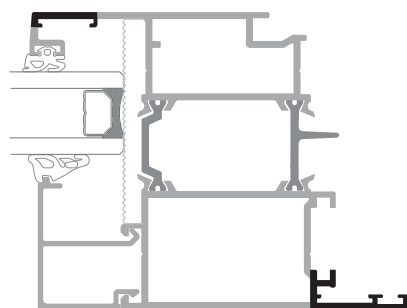
\*outras medidas sob consulta / other measures on request / otras medidas sobre pedido / autres mesures sur demande



Ref.	A	B
D65-1610	16	10.0
D65-1614	16	13.8
D65-1616	16	15.6
D65-1618	16	17.4
D65-1622	16	21.8
D65-1631	16	31.0
D65-1636	16	36.0
D65-1640	16	39.8



## esquadros alinhamento



\*outras medidas sob consulta / other measures on request / otras medidas sobre pedido / autres mesures sur demande

### códigos medidas

D90-2608E	25.7x0.8
D90-2308E	22.7x0.8
D90-3208E	32.2x0.8
D90-3108E	31.8x0.8
D90-1512E	14.8x1.2
D90-1408E	13.9x0.8
D90-1712E	17.4x1.2
D90-1208E	12x0.8
D90-9408E	9.4x0.8
D90-9208E	9.2x0.8
D90-2408E	23.6x0.8
D90-3808E	38x0.8
D90-2208E	22.2x0.8
D90-2201E	21.6x1
D90-8508E	8.5x0.8



estampados

### códigos medidas

D90-7502L	7.5x2
D90-0712L	7x1.2
D90-1301L	12.8x1
D90-5101L	5.1x1
D90-5808L	5.8x0.8
D90-6902L	6.9x2
D90-4701L	4.7x1
D90-5201L	5.2x1
D90-6601L	6.6x1
D90-1201L	12.5x1
D90-1408L	14.9x0.8
D90-7112L	7.1x1.2
D90-1312L	12.8x1.2



lisos



zamak

D90-8937	8.9x3.7 perno DIN914
D90-8937A	8.9x3.7 perno DIN916



picados

D90-0915P	BX 8.8x1.5
D90-1312P	BXI 12.8x1.2
D90-1412P	14.2x1.2
D90-1312P	13.4x1.2
D90-1508P	14.8x0.8

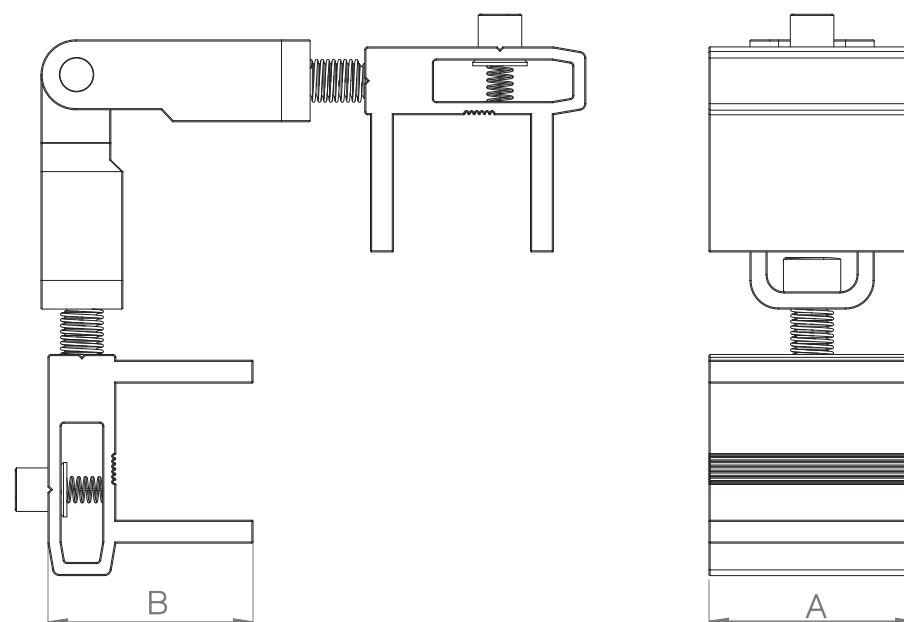


teton

D90-0514	0514
D90-0731	0731
D90-0536	0536



## esquadro angular



Bmin: 14mm

Amin: 22mm

Ref.	A	B
D75-3714	36.7	14
D75-3718	36.7	18
D75-3720	36.7	20
D75-3722	36.7	22
D75-3725	36.7	25
D75-3728	36.7	28
D75-3731	36.7	31
D75-3736	36.7	36

materiais / materials / materiales / matériaux

alumínio / aluminium / aluminio / aluminium

parafuso / screw / tornillo / vis

inox / stainless steel / acero inoxidable / inox

acabamento / finishing / acabado / finition

bruto / crude / crudo / brut

\*outras medidas sob consulta / other measures on request / otras medidas sobre pedido / autres mesures sur demande



esquadro de mola



materiais / materials / materiales / matériaux

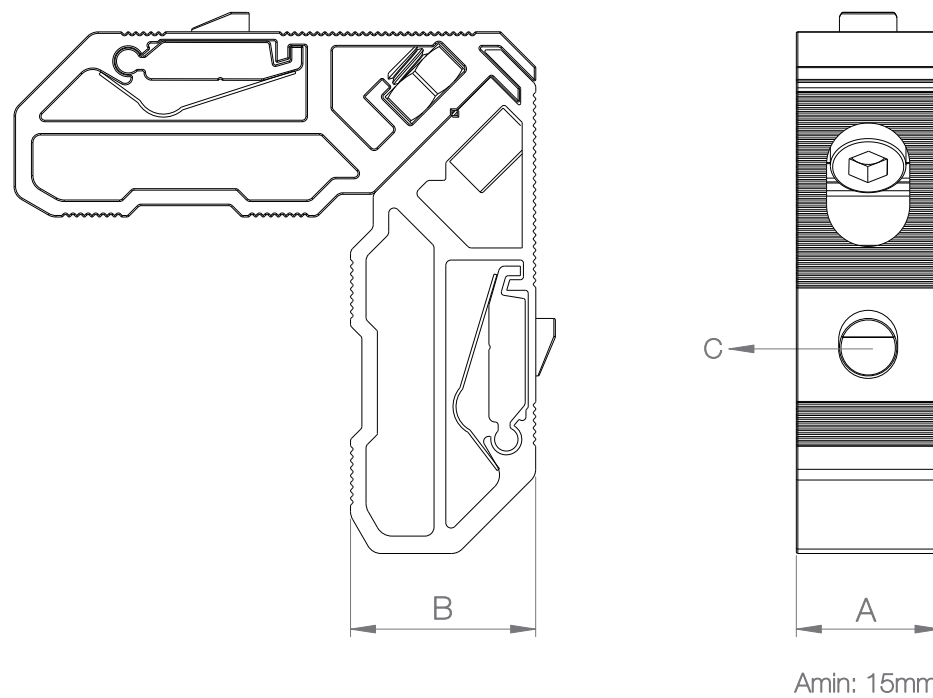
alumínio / aluminium / aluminio / aluminium

parafuso / screw / tornillo / vis

inox / stainless steel / acero inoxidable / inox

acabamento / finishing / acabado / finition

bruto / crude / crudo / brut



Ref.	A	B	C
D2045.2	36.5	13.8	7.5 / 9.5
D2045.3	36.5	17.8	7.5 / 9.5
D2045.4	36.5	19.8	7.5 / 9.5
D2045.5	36.5	21.8	7.5 / 9.5
D2045.6	36.5	24.8	7.5 / 9.5
D2045.7	36.5	27.8	7.5 / 9.5
D2045.8	36.5	30.8	7.5 / 9.5
D2045.9	36.5	35.8	7.5 / 9.5

\*outras medidas sob consulta / other measures on request / otras medidas sobre pedido / autres mesures sur demande



esquadro para porta mosquiteira

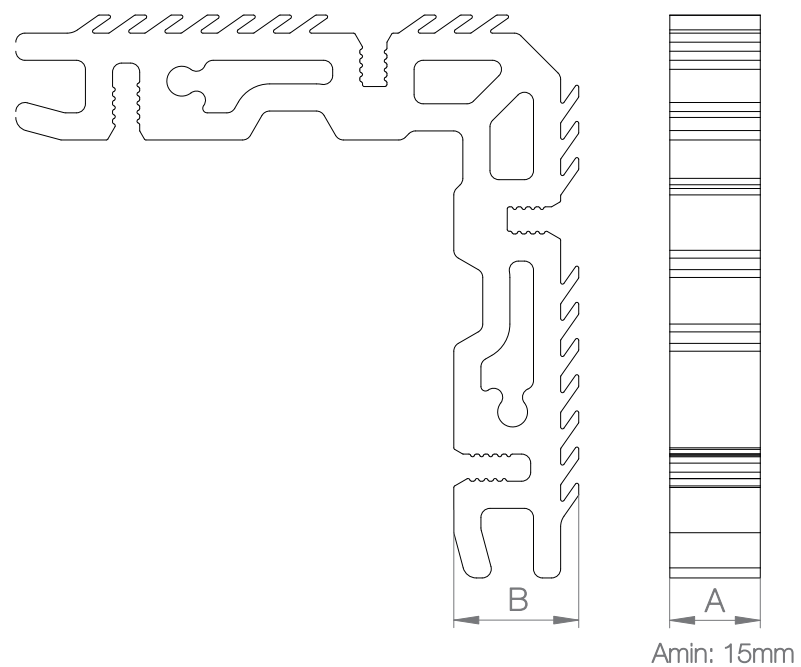


materials / materials / materiales / matériaux

alumínio / aluminium / aluminio / aluminium

acabamento / finishing / acabado / finition

bruto / crude / crudo / brut



Ref.	A	B
D80-1014	9.7	14
D80-1214	11.7	14
D80-1814	17.7	14
D80-2214	21.7	14
D80-2514	24.7	14
D80-2714	26.7	14
D80-3014	29.7	14
D80-3114	30.7	14
D80-3714	36.7	14

\*outras medidas sob consulta / other measures on request / otras medidas sobre pedido / autres mesures sur demande



## esquadro de enchimento



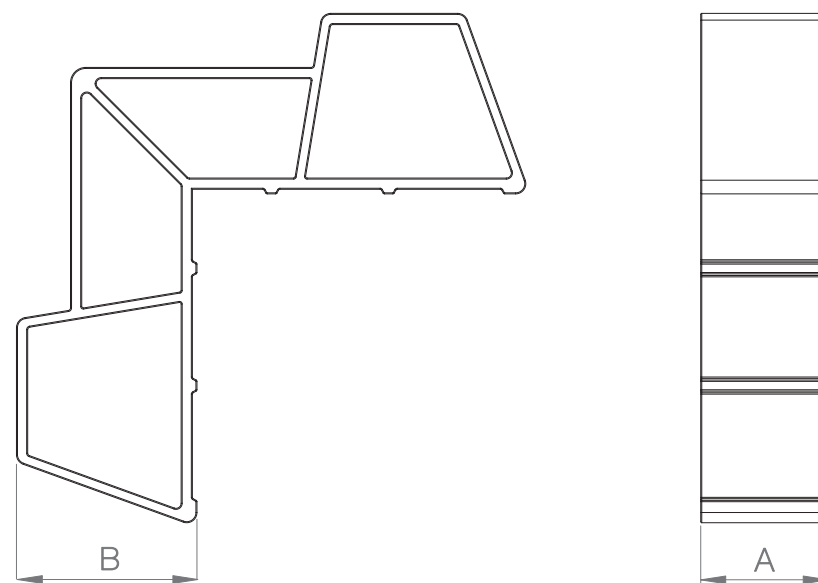
D2030

materials / materials / materiales / matériaux

alumínio / aluminium / aluminio / aluminium

acabamento / finishing / acabado / finition

bruto / crude / crudo / brut

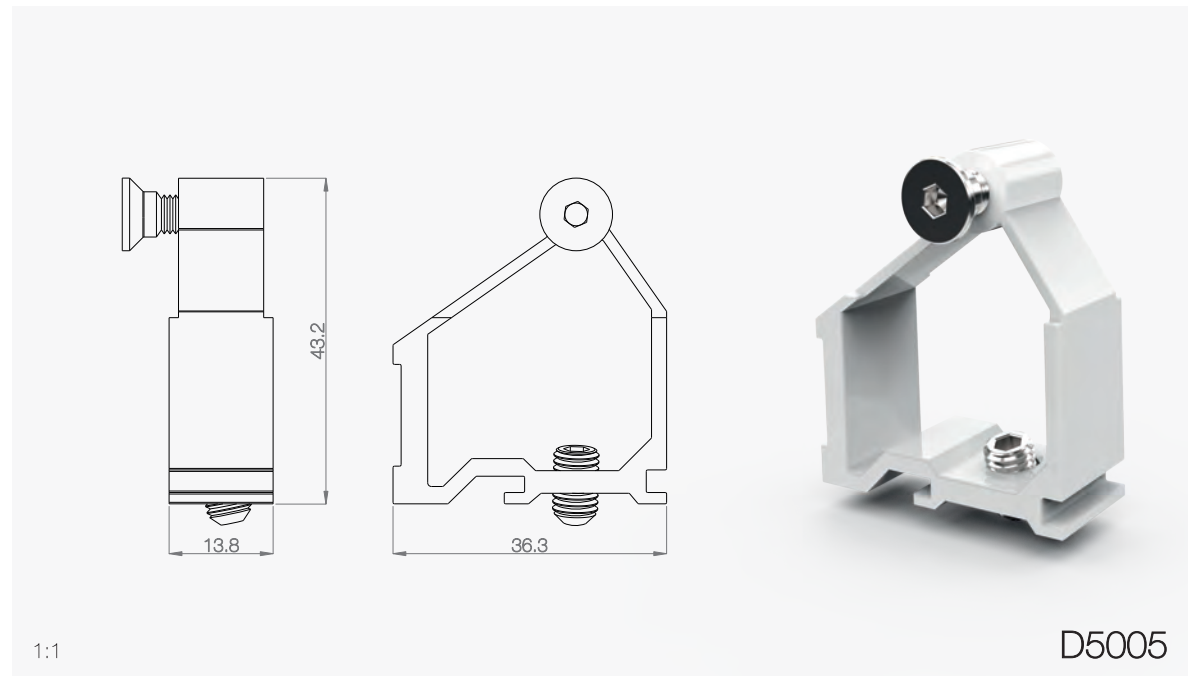
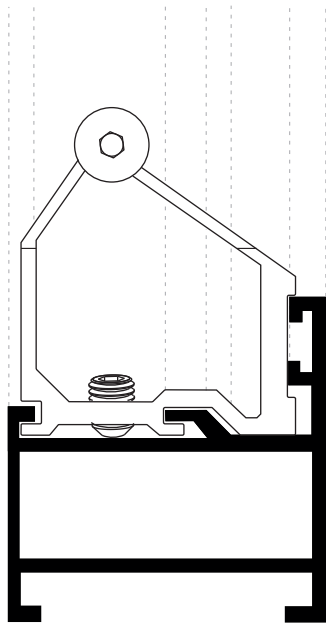


Ref.	A	B
D2030.1	11.7	36
D2030.2	13.7	36
D2030.3	17.7	36
D2030.4	21.7	36
D2030.5	24.7	36
D2030.6	30.7	36
D2030.7	36.7	36

\*outras medidas sob consulta / other measures on request / otras medidas sobre pedido / autres mesures sur demande



união pequena / grande



materials / materials / materiales / matériaux  
alumínio / aluminium / aluminio / aluminium

opcional / optional / opcional / facultatif

-parafuso / screw / tornillo / vis

zincado / zingage / zincado / zingué

inox / stainless steel / acero inoxidable / inox

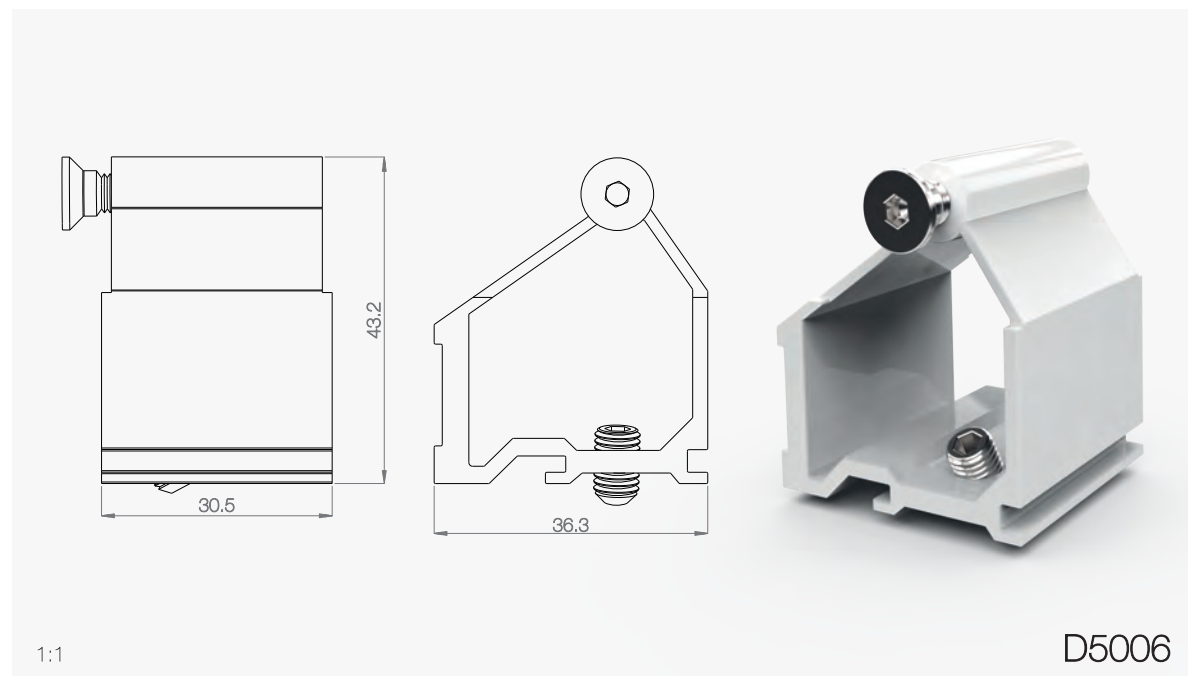
acabamento / finishing / acabado / finition

bruto / crude / crudo / brut

embalagem / packing / embalaje / emballage

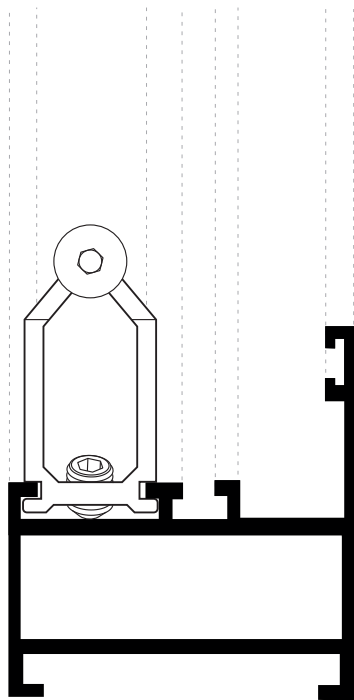
D5005 caixa 300 unid. / box 300 units / caja 300 unid / boîte 300 unités

D5006 caixa 150 unid. / box 150 units / caja 150 unid / boîte 150 unités





união serie 2000 pequena / grande



**materiais / materials / materiales / matériaux**  
alumínio / aluminium / aluminio / aluminium

**opcional / optional / opcional / facultatif**

-parafuso / screw / tornillo / vis

zincado / zingage / zincado / zingué

inox / stainless steel / acero inoxidable / inox

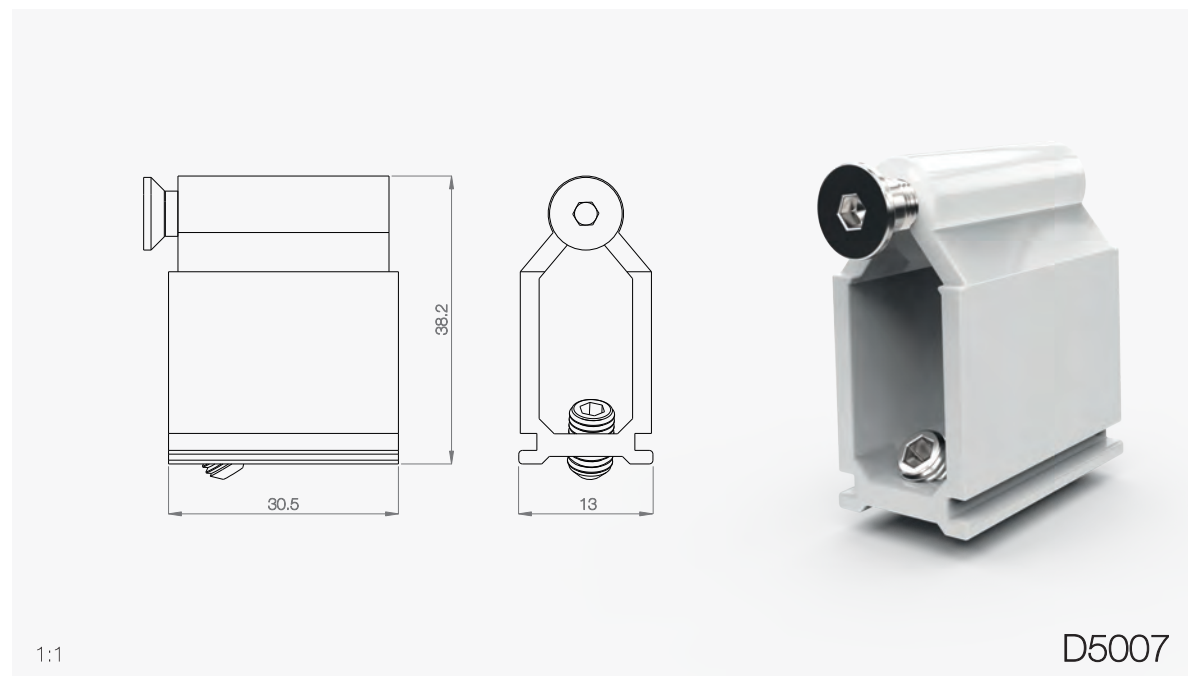
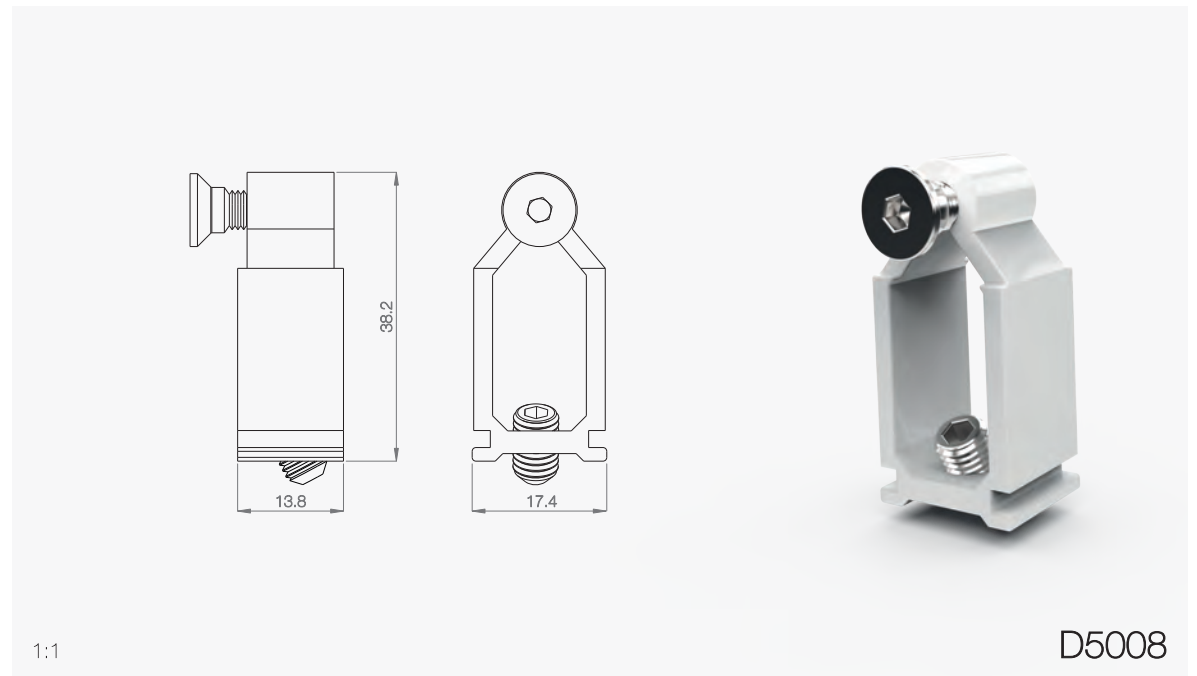
**acabamento / finishing / acabado / finition**

bruto / crude / crudo / brut

**embalagem / packing / embalaje / emballage**

D5008 caixa 300 unid. / box 300 units / caja 300 unid / boîte 300 unités

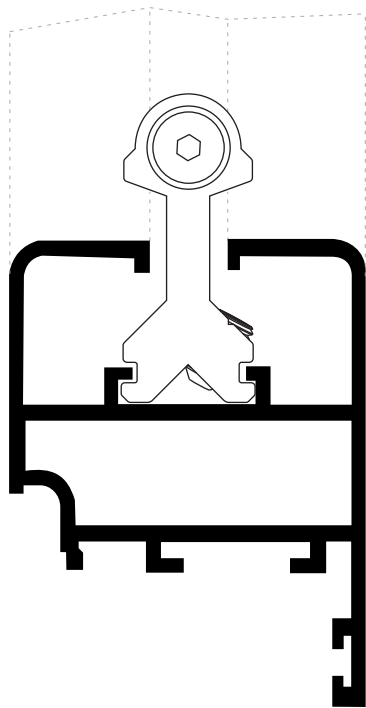
D5007 caixa 150 unid. / box 150 units / caja 150 unid / boîte 150 unités







união 425 pequena / grande



**materiais / materials / materiales / matériaux**

alumínio / aluminium / aluminio / aluminium

**opcional / optional / opcional / facultatif**

-parafuso / screw / tornillo / vis

zincado / zingage / zincado / zingué

inox / stainless steel / acero inoxidable / inox

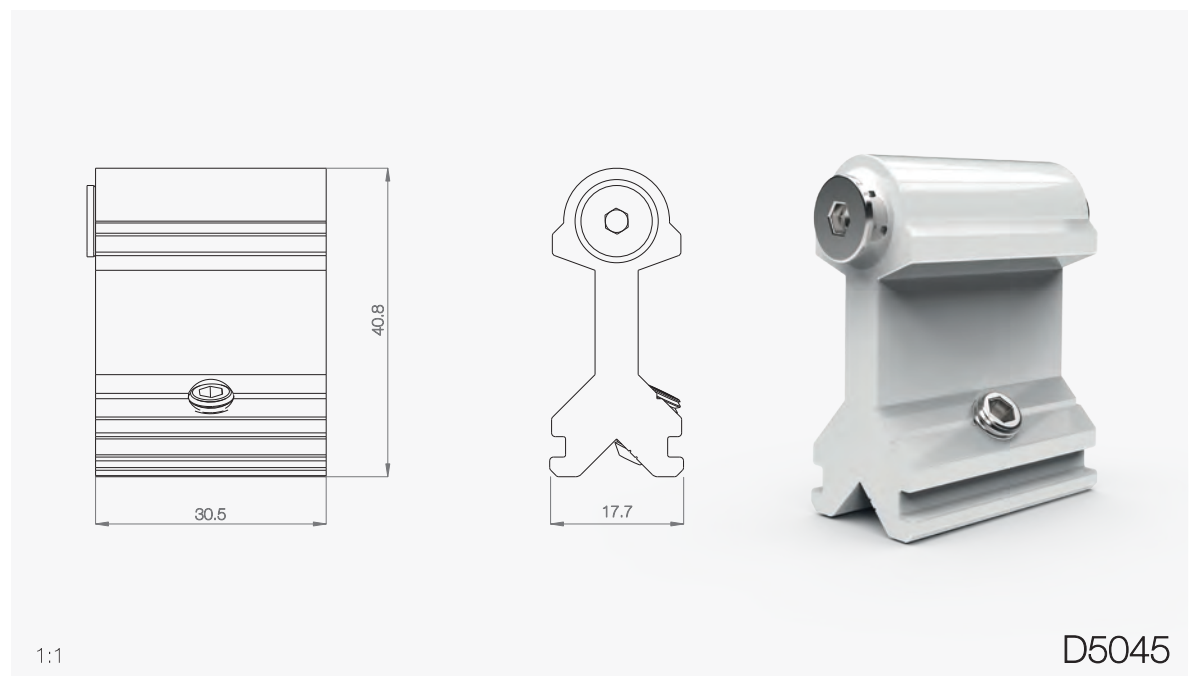
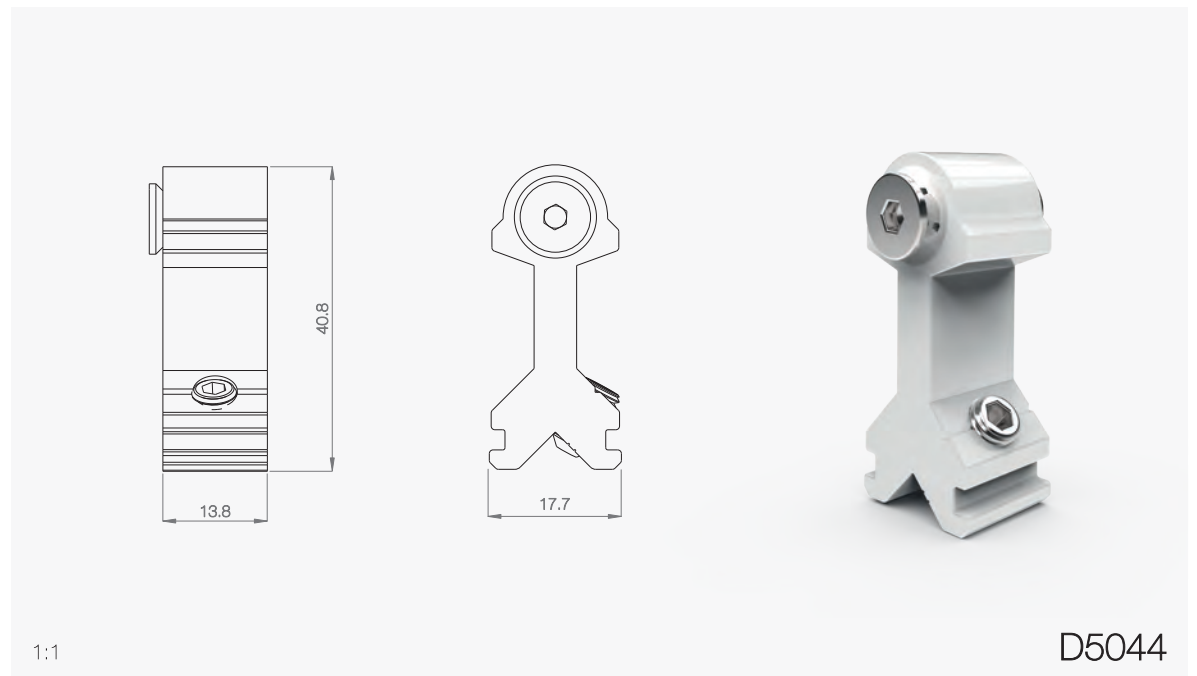
**acabamento / finishing / acabado / finition**

bruto / crude / crudo / brut

**embalagem / packing / embalaje / emballage**

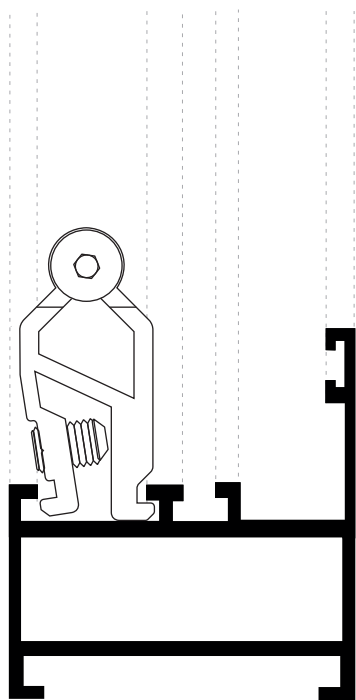
D5038 caixa 300 unid. / box 300 units / caja 300 unid / boîte 300 unités

D5037 caixa 150 unid. / box 150 units / caja 150 unid / boîte 150 unités





união 973 pequena / grande



materials / materials / materiales / matériaux  
alumínio / aluminium / aluminio / aluminium

opcional / optional / opcional / facultatif

-parafuso / screw / tornillo / vis

zincado / zingage / zincado / zingué

inox / stainless steel / acero inoxidable / inox

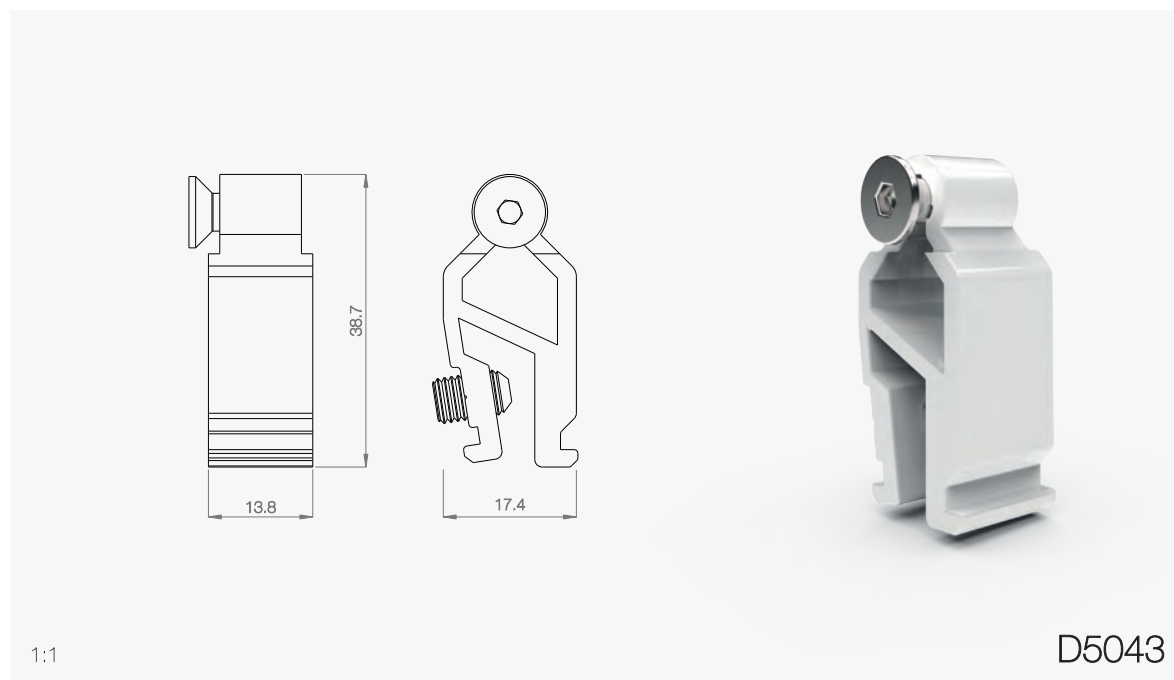
acabamento / finishing / acabado / finition

bruto / crude / crudo / brut

embalagem / packing / embalaje / emballage

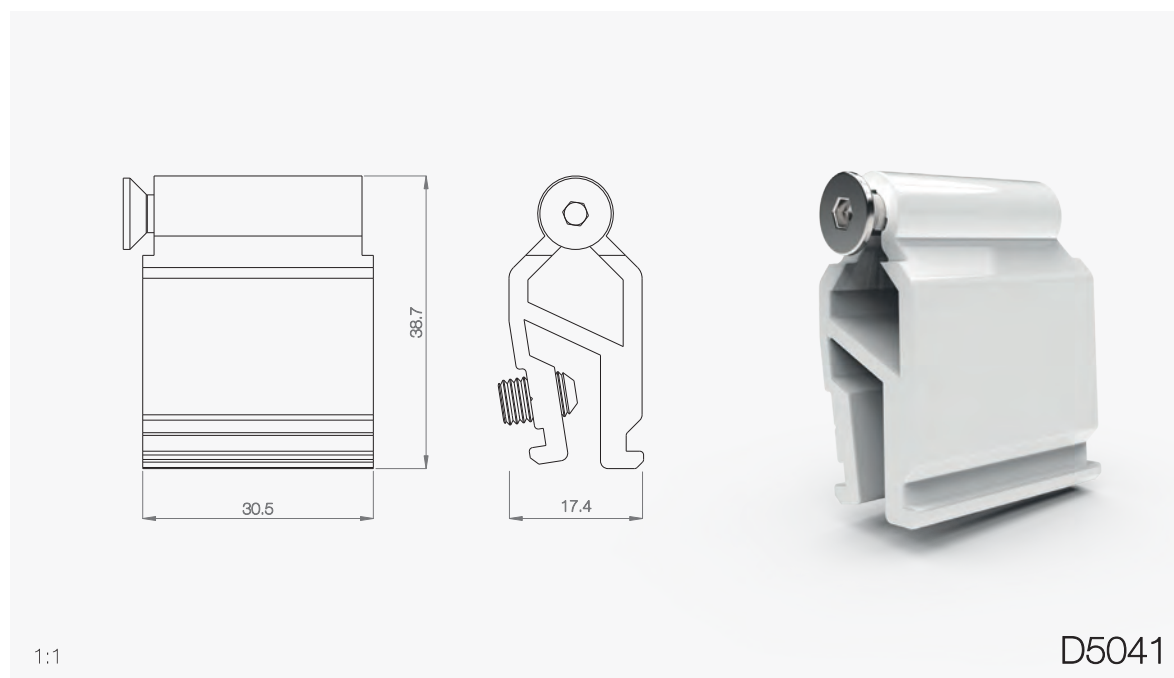
D5042 caixa 300 unid. / box 300 units / caja 300 unid / boîte 300 unités

D5041 caixa 150 unid. / box 150 units / caja 150 unid / boîte 150 unités



1:1

D5043

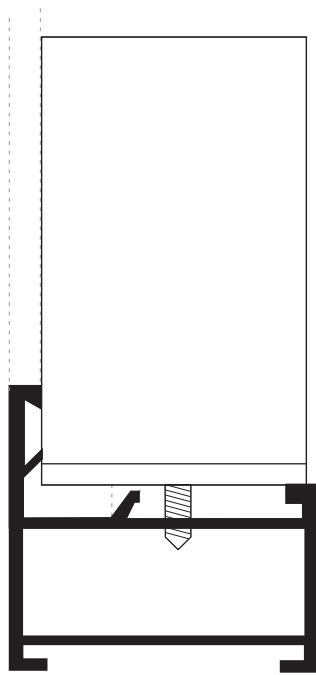


1:1

D5041



união a1 21

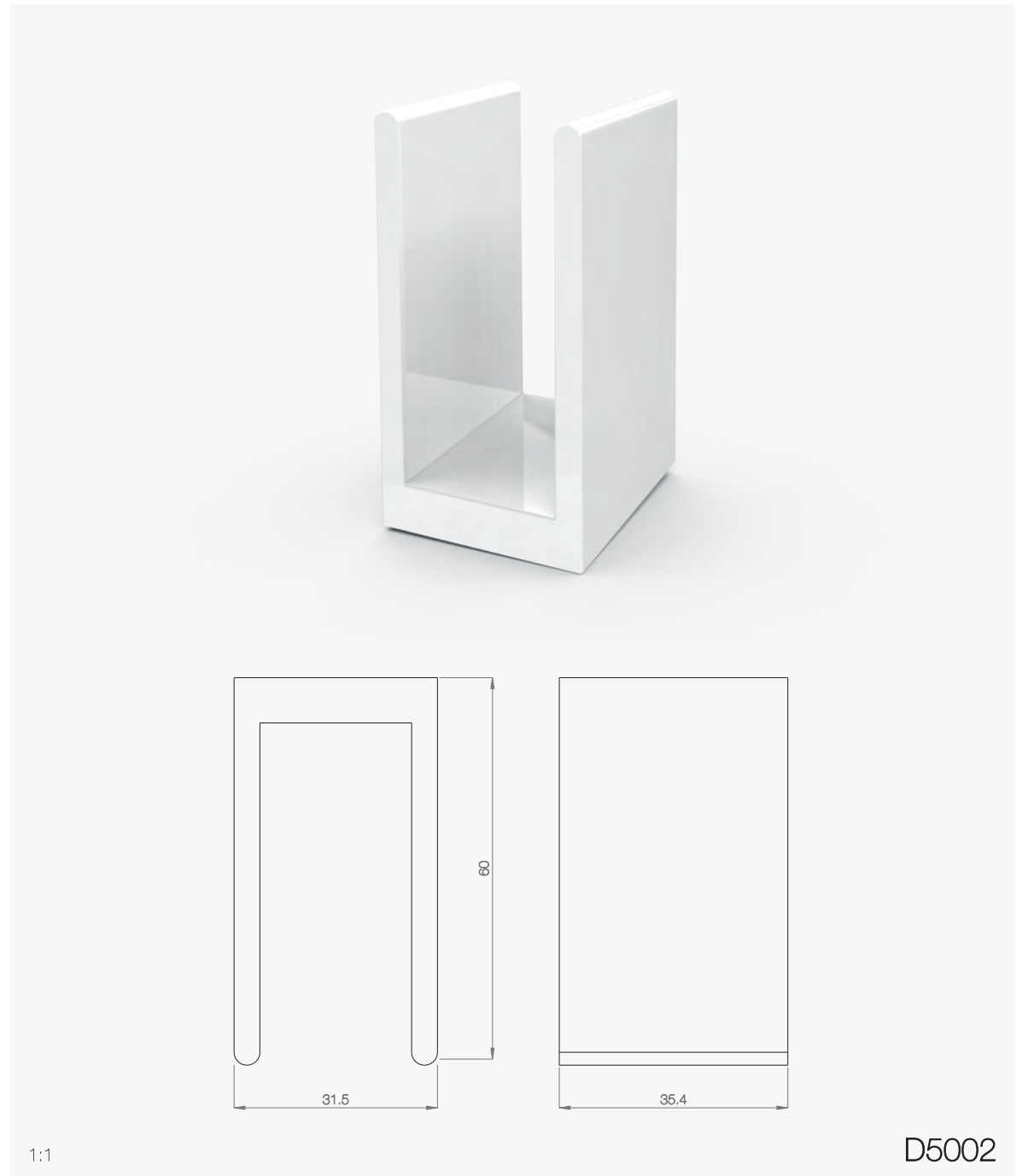


materials / materials / materiales / matériaux  
alumínio / aluminium / aluminio / aluminium

acabamento / finishing / acabado / finition  
bruto / crude / crudo / brut

embalagem / packing / embalaje / emballage

D5002 caixa 150 unid. / box 150 units / caja 150 unid / boîte 150 unités

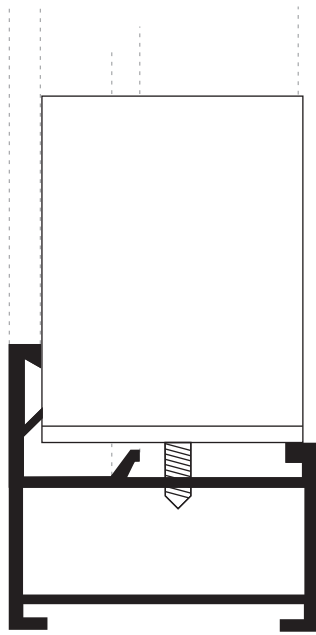


1:1

D5002



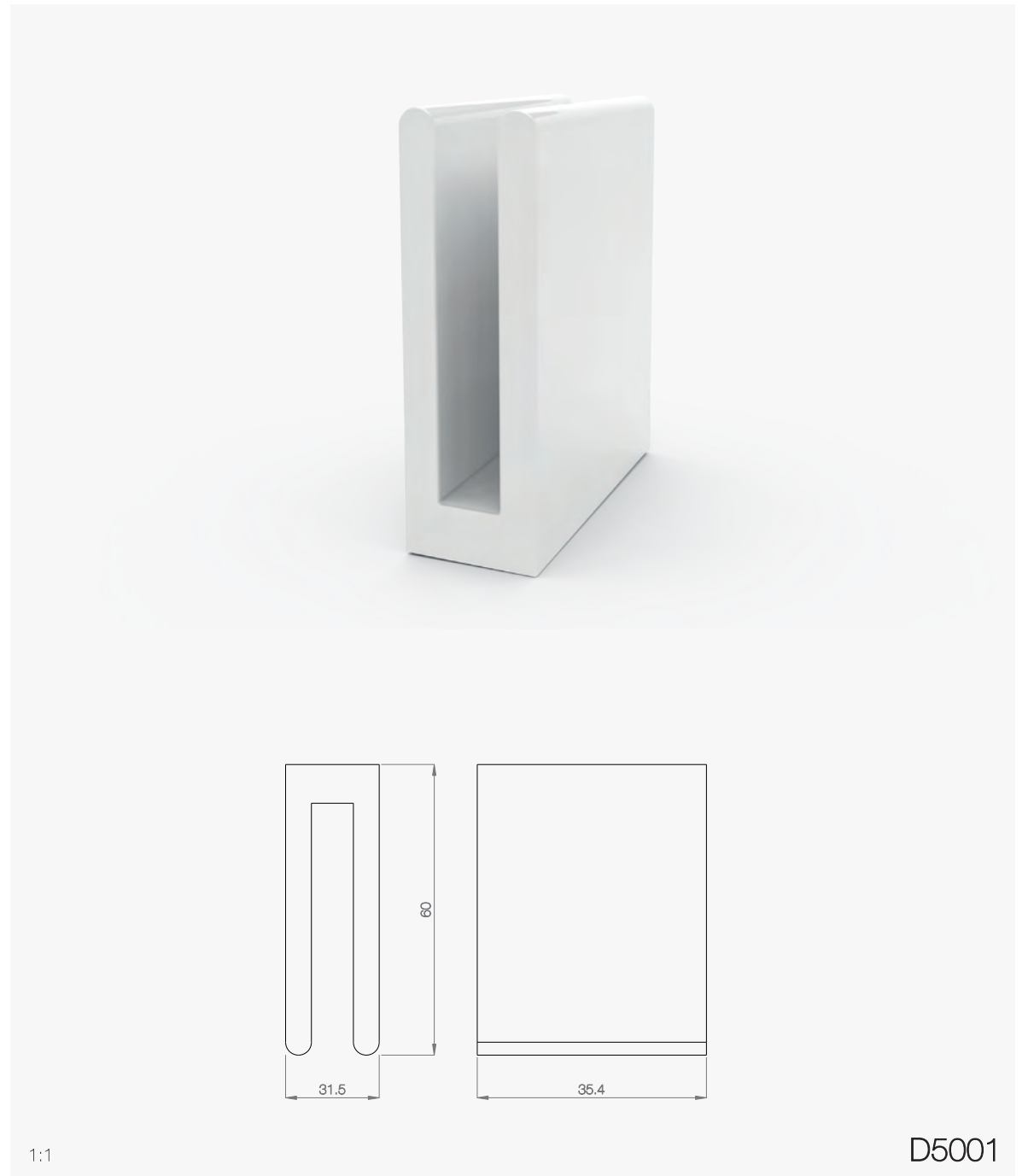
união a1 20



materials / materials / materiales / matériaux  
alumínio / aluminium / aluminio / aluminium

acabamento / finishing / acabado / finition  
bruto / crude / crudo / brut

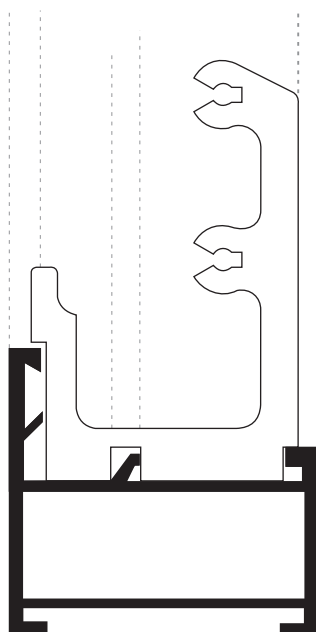
embalagem / packing / embalaje / emballage  
D5002 caixa 150 unid. / box 150 units / caja 150 unid / boîte 150 unités



D5001



união a1 50 pequena / grande



**materials / materials / materiales / matériaux**  
alumínio / aluminium / aluminio / aluminium

**opcional / optional / opcional / facultatif**

-parafuso / screw / tornillo / vis

zincado / zingage / zincado / zingué

inox / stainless steel / acero inoxidable / inox

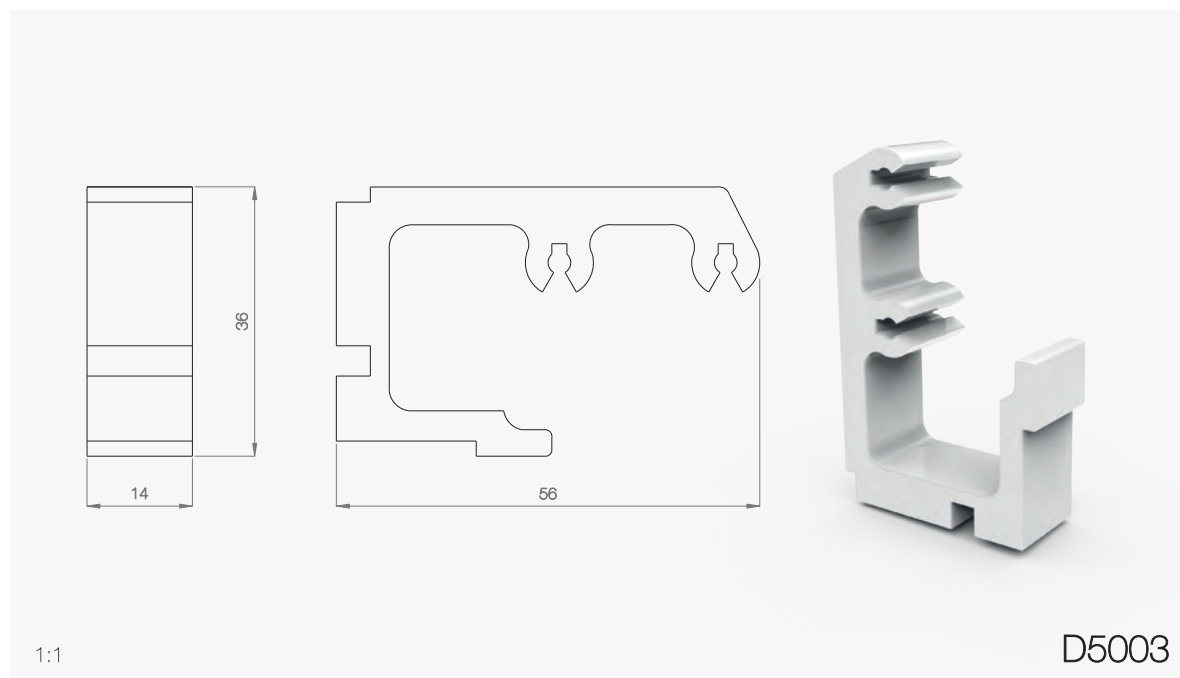
**acabamento / finishing / acabado / finition**

bruto / crude / crudo / brut

**embalagem / packing / embalaje / emballage**

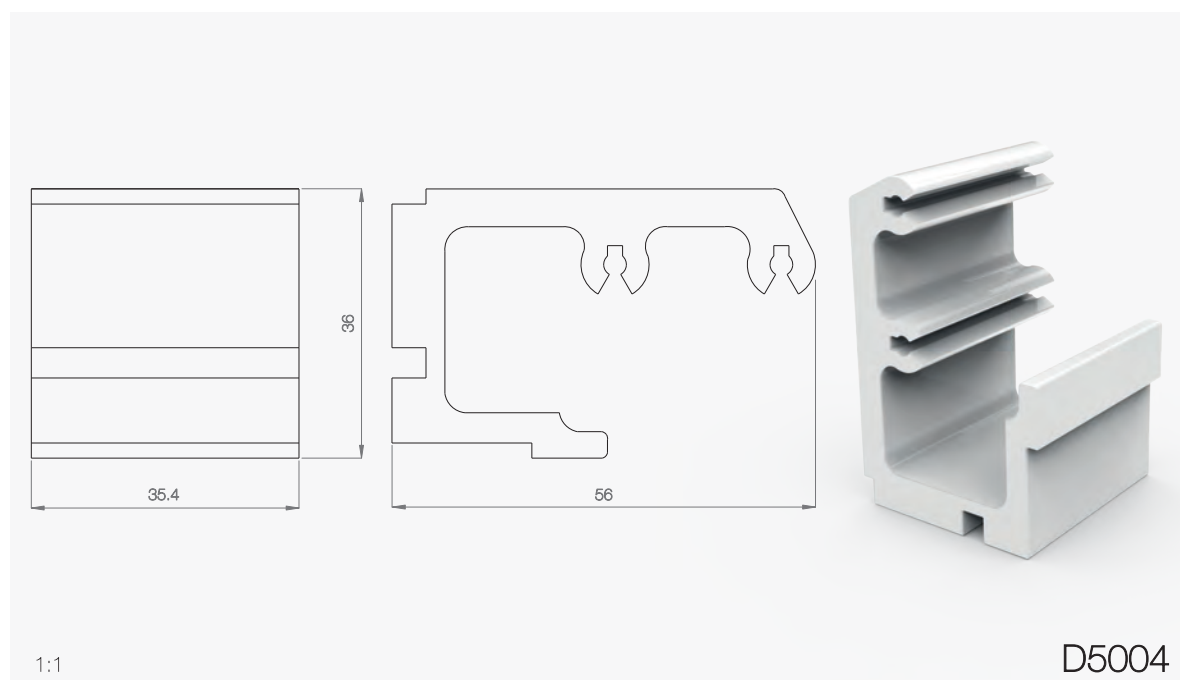
D5003 caixa 300 unid. / box 300 units / caja 300 unid / boîte 300 unités

D5004 caixa 150 unid. / box 150 units / caja 150 unid / boîte 150 unités



1:1

D5003

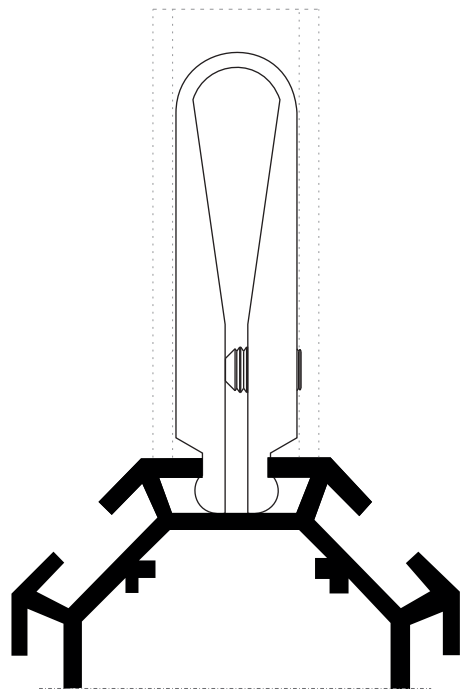


1:1

D5004



união balcão



materials / materials / materiales / matériaux  
alumínio / aluminium / aluminio / aluminium

acabamento / finishing / acabado / finition  
bruto / crude / crudo / brut

embalagem / packing / embalaje / emballage  
caixa 300 unid. / box 300 units / caja 300 unid / boîte 300 unités



D5037